

REDUCER BACKSTOP MODULE

0311

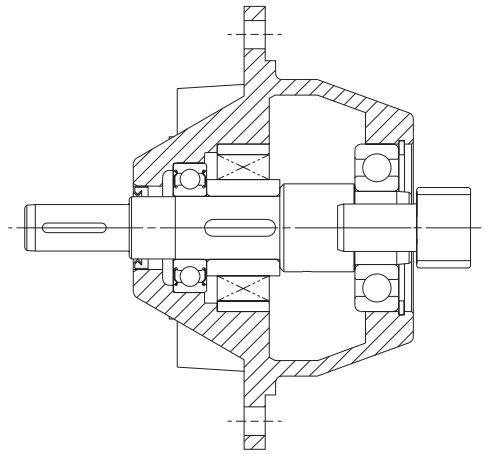
The reducer units listed below can be fitted with an internal backstop, this has no effect on the external unit size. The backstop device incorporates high quality centrifugal lift off sprags which are wear free above the lift off speed ('n' min). To ensure correct operation input speed must exceed lift off speed.

Suitable for ambient temperature -40°F to + 122°F (-40°C to + 50°C)

Column 10 Entry

For reducer backstop modules enter W for CCW rotation (or Z if used in conjunction with a fan kit)
 X for CW rotation (or Y if used in conjunction with a fan kit)

Unit Size	Lift off Speed ('n' min) (at inputshaft) (rev/min)	Rated Locking Torque ('T max') (at inputshaft) (lb.in)
M0422	800	885
M0522	800	885
M0612	800	885
M0622	800	885
M0712	670	1504
M0722	670	1504
M0732	800	885
M0812	670	2655
M0822	670	2655
M0832	670	1504
M0921	620	8320
M0931	670	2655
M1021	550	11152
M1031	670	2655
M1321	550	21242
M1331	550	21242
M1421	550	21242
M1431	550	21242



Rotation of outputshaft must be specified when ordering as viewed from the outputshaft end (as shown in the diagram)

- CW - Free Rotation - Clockwise
- Locked - Counterclockwise

- CCW - Free Rotation - Counterclockwise
- Locked - Clockwise

