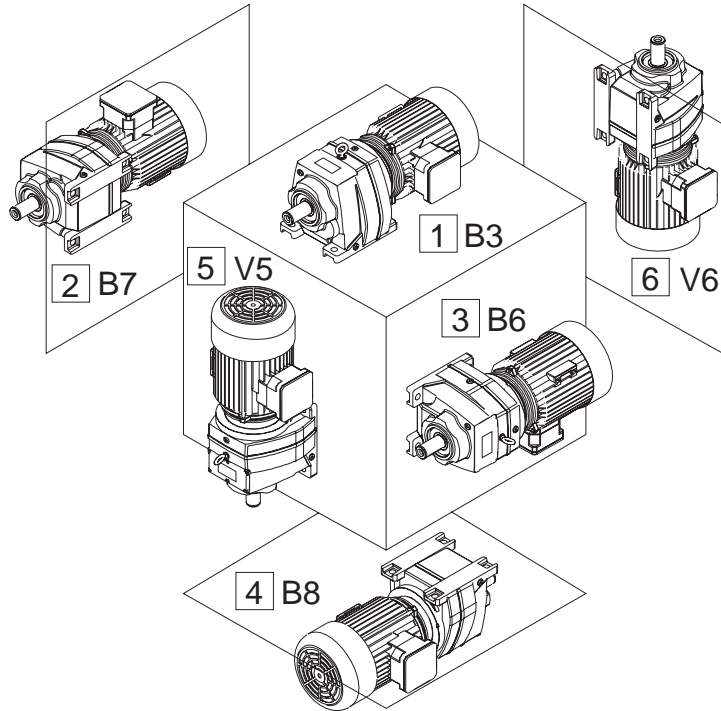


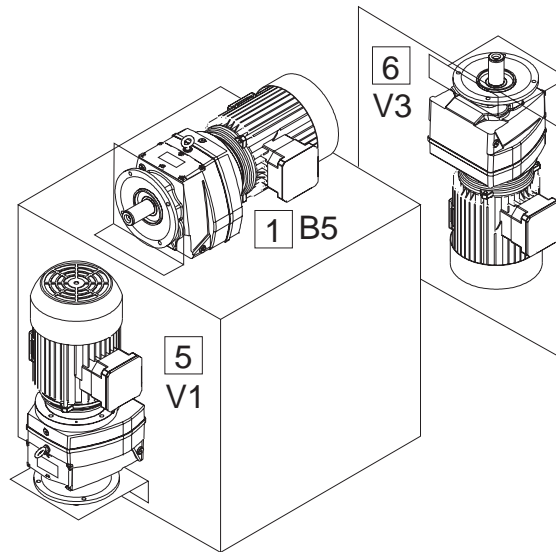
0107

COLUMN 13 ENTRY

Base Mounted Units



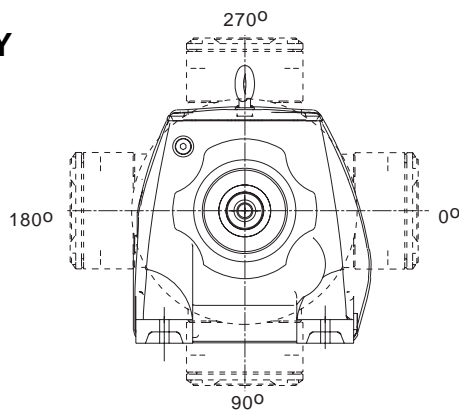
Flange Mounted Units



MOUNTING POSITIONS - SHOWN AS MOTORIZED - APPLIES ALSO FOR REDUCERS

COLUMN 14 ENTRY

ALL MOTORS



| Column 14 Entry | Terminal Box Position |
|-----------------|----------------------------|
| A | 0° |
| B | 90° |
| C | 180° |
| D | 270° |
| - | Reducer or no motor fitted |