

0311

**Column 10 Entry**

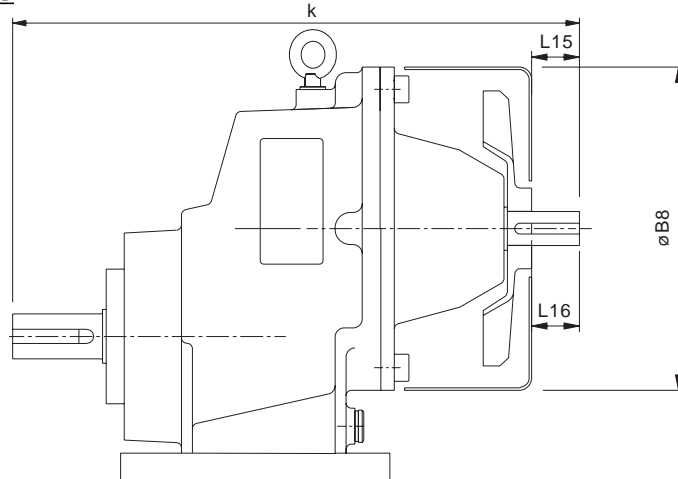
For reducer fan kit modules enter **S** in column 10  
or if used in conjunction with a reducer backstop module kit

**Y**  
**Z**

CW rotation  
CCW rotation

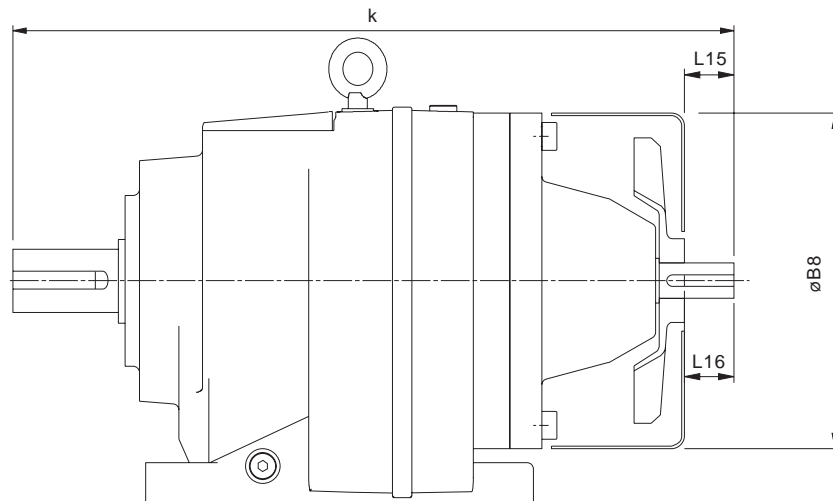
**Dimensions of Fan Cooled Units**

**Single Reduction Units**



Unit Size	$\phi B8$	$k$	L15	L16
<b>M0712</b>	8.86	14.25	1.38	1.28
<b>M0812</b>	10.43	17.68	1.77	2.00

**Double Reduction Units**



Unit Size	$\phi B8$	$k$	L15	L16
<b>M0722</b>	8.86	17.32	1.38	1.28
<b>M0822</b>	10.43	21.85	1.77	2.0
<b>M0921</b>	12.60	25.98	2.56	2.40
<b>M1021</b>	14.96	30.79	3.74	3.69
<b>M1321</b>	16.54	35.71	3.35	3.81
<b>M1421</b>	18.90	40.24	3.35	3.81