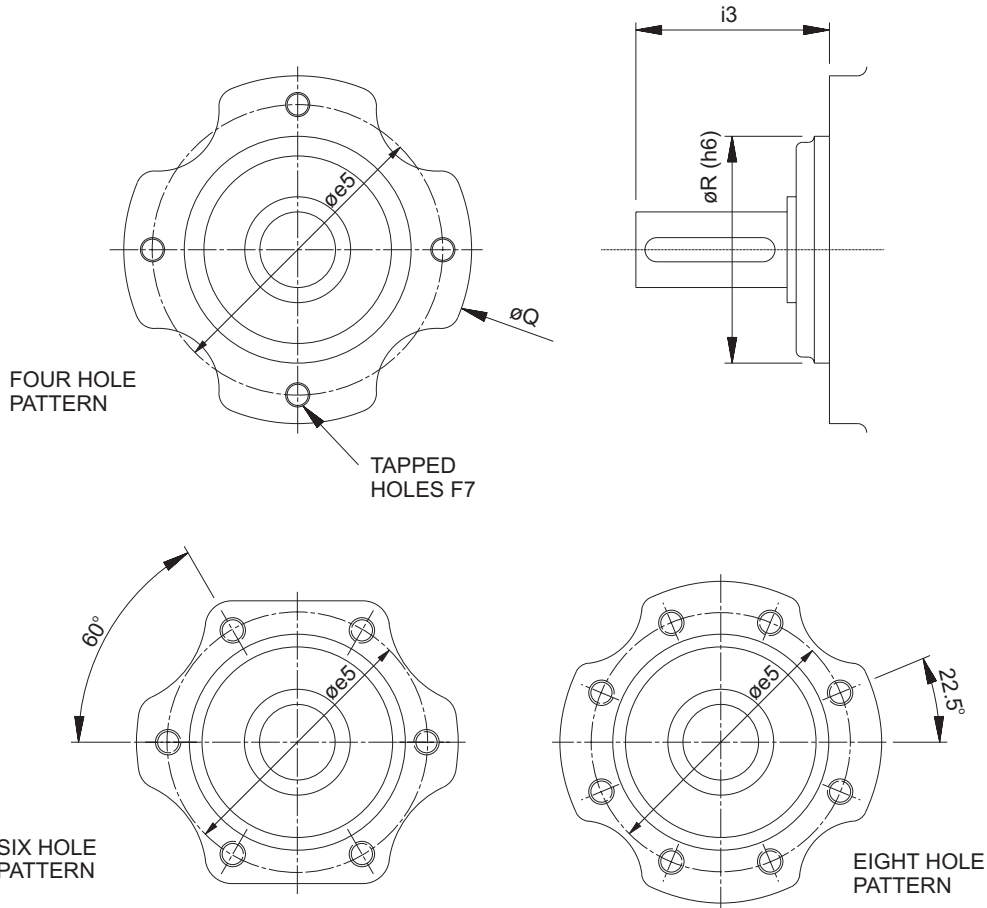


0106

Column 9 Entry

- E C-Flange (B14) Mounting (For sizes M01 to M08 only)
- V Base and C-Flange (B14) Mounting (available as standard for single reduction units only, other units can be supplied as special units)



Single Stage Units

SIZE	$\phi e5$	F7	$i3$	ϕQ	ϕR
M0512	2.95	4 Holes M8 x 1.25 12 Deep	2.13	3.86	2.05
M0612	3.78	4 Holes M8 x 1.25 15 Deep	2.44	4.53	2.95
M0712	4.13	4 Holes M12 x 1.75 21 Deep	2.91	5.12	3.35
M0812	4.88	6 Holes M12 x 1.75 21 Deep	3.70	5.98	4.02

2, 3, 4 & 5 Stage Units

SIZE	$\phi e5$	F7	$i3$	ϕQ	ϕR
M01	2.95	4 Holes M8 x 1.25 12 Deep	2.13	3.86	2.05
M02 / M03	3.78	4 Holes M8 x 1.25 15 Deep	2.44	4.53	2.95
M04 / M05	4.13	4 Holes M12 x 1.75 21 Deep	2.91 / 3.31	5.12	3.35
M06 / M07	4.88	6 Holes M12 x 1.75 21 Deep	3.31 / 3.70	5.98	4.02
M08	6.69	8 Holes M12 x 1.75 21 Deep	4.72	7.68	5.71