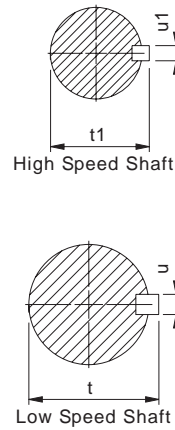
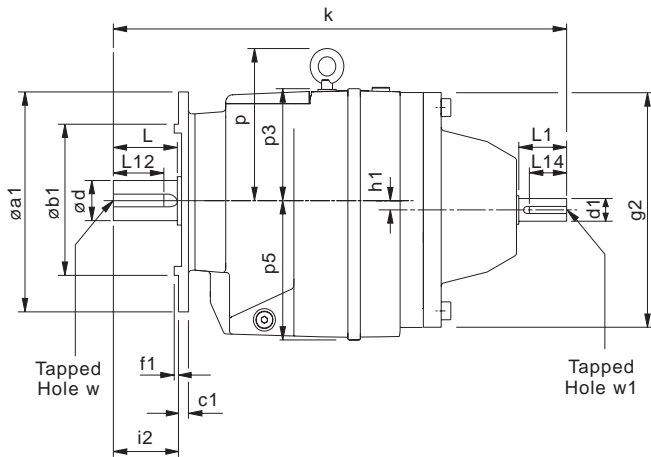


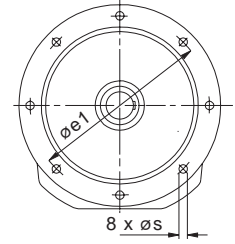
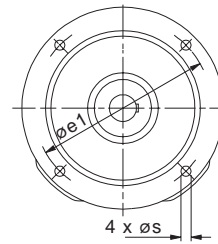
**DIMENSIONS - TRIPLE REDUCTION
FLANGE MOUNT**

0112



Sizes
1, 2, 3, 4, 5, 6, 7 and 8

Sizes
9, 10, 13 and 14



Note: Sizes 01 to 08 are also available as C-Flange (B14) Mounting, please see page 107 for details.

SIZE	$\phi a1$	$\phi b1$	$c1$	$\phi e1$	$f1$	$\phi g2$	$h1$	$i2$	k	p	$p3$	$p5$	s
M0132	4.72	3.15	0.35	3.94	0.12	5.51	-	1.57	11.26	-	2.91	2.99	0.35
	5.51	3.74	0.35	4.53	0.12			1.57					0.35
	6.30	4.33	0.39	5.12	0.14			1.57					0.35
	7.87	5.12	0.39	6.50	0.14			1.57					0.43
M0232	4.72	3.15	0.39	3.94	0.12	5.51	-	1.97	12.48	-	3.54	3.58	0.26
	5.51	3.74	0.39	4.53	0.12			1.97					0.35
	6.30	4.33	0.39	5.12	0.14			1.97					0.35
	7.87	5.12	0.39	6.50	0.14			1.97					0.43
M0332	4.72	3.15	0.39	3.94	0.12	5.51	-	1.97	12.48	-	3.54	3.58	0.26
	5.51	3.74	0.39	4.53	0.12			1.97					0.35
	6.30	4.33	0.39	5.12	0.14			1.97					0.35
	7.87	5.12	0.39	6.50	0.14			1.97					0.43
M0432	5.51	3.74	0.43	4.53	0.12	7.09	-	2.36	14.53	-	3.66	4.53	0.35
	6.30	4.33	0.43	5.12	0.14			2.36					0.35
	7.87	5.12	0.43	6.50	0.14			2.36					0.43
	9.84	7.09	0.43	8.46	0.16			2.36					0.53
M0532	5.51	3.74	0.43	4.53	0.12	7.09	-	2.76	14.92	-	3.66	4.53	0.35
	6.30	4.33	0.43	5.12	0.14			2.76					0.35
	7.87	5.12	0.43	6.50	0.14			2.76					0.43
	9.84	7.09	0.43	8.46	0.16			2.76					0.53
M0632	7.87	5.12	0.43	6.50	0.16	7.09	0.57	2.76	15.75	4.57	3.31	5.12	0.43
	9.84	7.09	0.43	8.46	0.16			2.76					0.53
	11.81	9.06	0.43	10.43	0.16			2.76					0.53
	13.78	10.93	0.43	12.40	0.16			2.76					0.53
M0732	7.87	5.12	0.43	6.50	0.14	8.35	-	3.15	17.32	6.10	4.33	5.51	0.43
	9.84	7.09	0.43	8.46	0.16			3.15					0.53
	11.81	9.06	0.43	10.43	0.16			3.15					0.53
	13.78	10.93	0.43	12.40	0.16			3.15					0.53
M0832	11.81	9.06	0.67	10.43	0.16	9.84	-	3.94	21.85	7.09	5.12	7.17	0.53
	13.78	9.84	0.67	11.81	0.20			3.94					0.69
M0931	17.72	13.78	0.71	15.75	0.20	11.81	-	5.51	25.98	7.80	-	9.06	0.71
M1031	17.72	13.78	0.87	15.75	0.20	14.17	-	5.51	30.79	9.65	-	10.24	0.71
M1331	21.65	17.72	0.98	19.69	0.20	15.75	-	6.69	35.71	11.34	-	10.94	0.71
M1431	21.65	17.72	0.98	19.69	0.20	18.11	-	8.27	40.24	12.60	-	12.52	0.71

SIZE	High Speed Shaft						Low Speed Shaft					
	$d1$	$L1$	$L14$	$t1$	$u1$	$w1$	d	L	$L12$	t	u	w
M0132	0.6250	1.57	$1^{9/32}$	0.70	$3/16$	$1/4$ UNF x .63 deep	0.7500	1.575	$1^{9/32}$	0.829	$3/16$	$1/4$ UNF x .63 deep
	0.6245						0.7495					
M0232	0.6250	1.57	$1^{9/32}$	0.70	$3/16$	$1/4$ UNF x .63 deep	1.0000	1.969	$1^{9/16}$	1.106	$1/4$	$1/4$ UNF x .71 deep
	0.6245						0.9995					
M0332	0.6250	1.57	$1^{9/32}$	0.70	$3/16$	$1/4$ UNF x .63 deep	1.0000	1.969	$1^{9/16}$	1.106	$1/4$	$1/4$ UNF x .71 deep
	0.6245						0.9995					
M0432	0.6250	1.57	$1^{9/32}$	0.70	$3/16$	$1/4$ UNF x .63 deep	1.2500	2.362	2	1.359	$1/4$	$3/8$ UNF x .86 deep
	0.6245						1.2495					
M0532	0.6250	1.57	$1^{9/32}$	0.70	$3/16$	$1/4$ UNF x .63 deep	1.3750	2.756	$2^{3/8}$	1.507	$5/16$	$3/8$ UNF x .75 deep
	0.6245						1.3745					
M0632	0.6250	1.57	$1^{9/32}$	0.70	$3/16$	$1/4$ UNF x .63 deep	1.3750	2.756	$2^{3/8}$	1.507	$5/16$	$3/8$ UNF x .75 deep
	0.6245						1.3745					
M0732	0.7500	1.57	$1^{9/32}$	0.83	$3/16$	$1/4$ UNF x .63 deep	1.6250	3.15	$2^{3/8}$	1.784	$3/8$	$5/8$ UNF x 1.25 deep
	0.7495						1.6240					
M0832	0.8750	1.97	$1^{9/32}$	0.96	$3/16$	$5/16$ UNF x .63 deep	2.1250	3.937	$2^{3/4}$	2.338	$1/2$	$3/4$ UNF x 1.50 deep
	0.8745						2.1240					
M0931	1.1250	2.36	2	1.23	$1/4$	$3/8$ UNF x .87 deep	2.3750	4.72	$3^{11/16}$	2.65	0.625	$3/4$ UNF x 1.65 deep
	1.1245						2.3740					
M1031	1.3750	3.15	$2^{13/32}$	1.51	$5/16$	$1/2$ UNF x 1.10 deep	2.875	5.51	$4^{5/8}$	3.20	0.75	$3/4$ UNF x 1.65 deep
	1.3745						2.874					
M1331	2.1250	4.33	$3^{13/16}$	2.35	$1/2$	$3/4$ UNF x 1.65 deep	3.625	6.69	$5^{15/16}$	4.01	0.875	1 UNF x 1.97 deep
	2.1240						3.624					
M1431	2.1250	4.33	$3^{13/16}$	2.35	$1/2$	$3/4$ UNF x 1.65 deep	4.000	8.27	$7^{1/2}$	4.44	1.00	1 UNF x 1.97 deep
	2.1240						3.999					