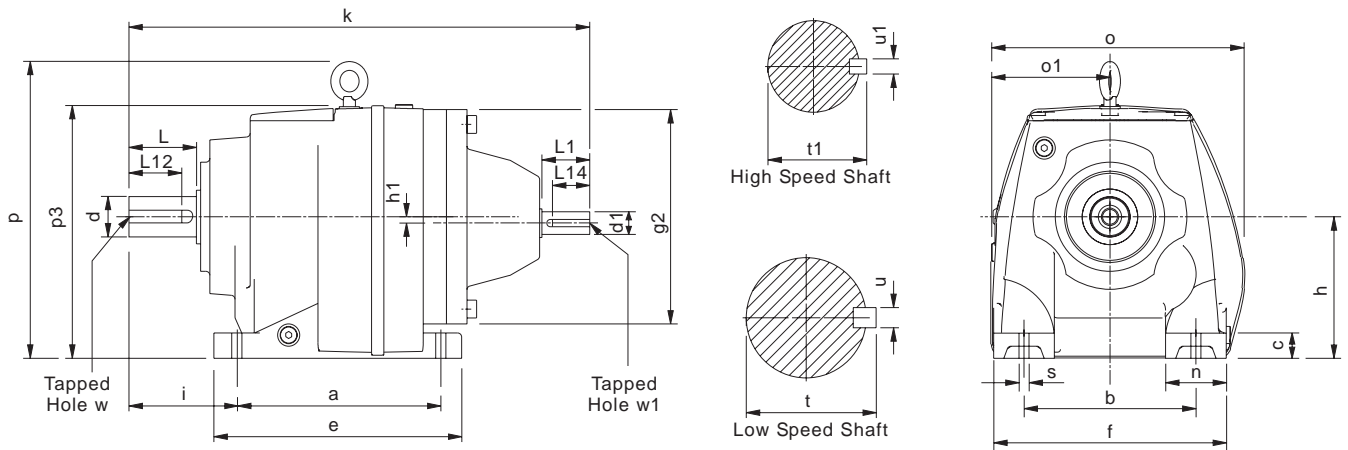


0112



SIZE	a	b	c	e	f	g2	h	h1	i	k	n	o	o1	p	p3	s
M0132	4.33	4.33	0.47	5.16	5.31	5.51	2.95	-	2.28	11.26	0.98	5.98	2.99	-	5.87	0.39
M0232	5.12	4.33	0.63	5.98	5.71	5.51	3.54	-	2.95	12.48	1.38	6.69	3.31	-	7.09	0.39
M0332	5.12	4.33	0.63	5.98	5.71	5.51	3.54	-	2.95	12.48	1.38	6.69	3.31	-	7.09	0.39
M0432	6.50	5.31	0.79	7.87	7.48	7.09	4.53	-	3.54	14.53	2.17	8.03	3.82	-	8.19	0.59
M0532	6.50	5.31	0.79	7.87	7.48	7.09	4.53	-	3.94	14.92	2.17	8.03	3.82	-	8.19	0.59
M0632	7.68	5.91	0.94	9.25	8.27	7.09	5.12	0.57	3.94	15.75	2.36	8.66	4.33	9.69	8.43	0.59
M0732	8.07	6.69	0.98	9.65	9.06	8.35	5.51	-	4.53	17.32	2.36	9.92	4.69	11.61	9.84	0.75
M0832	10.24	8.46	1.38	12.20	11.42	9.84	7.09	-	5.51	21.85	2.95	12.60	6.57	14.17	12.20	0.75
M0931	12.20	9.84	1.57	14.37	13.39	11.81	8.86	-	6.30	25.98	3.54	14.65	7.87	17.05	15.51	0.91
M1031	14.57	11.42	1.77	17.32	15.75	14.17	9.84	-	7.28	30.79	4.33	16.85	8.86	19.88	17.56	1.06
M1331	16.14	13.39	1.97	19.29	17.72	15.75	10.43	-	8.66	35.71	4.33	18.50	9.53	22.17	19.02	1.34
M1431	19.69	14.96	1.97	23.23	20.87	18.11	11.81	-	10.24	40.24	5.91	21.50	10.94	24.80	21.69	1.61

SIZE	High Speed Shaft						Low Speed Shaft					
	d1	L1	L14	t1	u1	w1	d	L	L12	t	u	w
M0132	0.6250 0.6245	1.57	1 ⁹ / ₃₂	0.70	3 ³ / ₁₆	1 ¹ / ₄ UNF x .63 deep	0.7500 0.7495	1.575	1 ⁹ / ₃₂	0.829	3 ³ / ₁₆	1 ¹ / ₄ UNF x 0.63 deep
M0232	0.6250 0.6245	1.57	1 ⁹ / ₃₂	0.70	3 ³ / ₁₆	1 ¹ / ₄ UNF x .63 deep	1.0000 0.9995	1.969	1 ⁹ / ₁₆	1.106	1 ¹ / ₄	1 ¹ / ₄ UNF x 0.71 deep
M0332	0.6250 0.6245	1.57	1 ⁹ / ₃₂	0.70	3 ³ / ₁₆	1 ¹ / ₄ UNF x .63 deep	1.0000 0.9995	1.969	1 ⁹ / ₁₆	1.106	1 ¹ / ₄	1 ¹ / ₄ UNF x 0.71 deep
M0432	0.6250 0.6245	1.57	1 ⁹ / ₃₂	0.70	3 ³ / ₁₆	1 ¹ / ₄ UNF x .63 deep	1.2500 1.2495	2.362	2	1.359	1 ¹ / ₄	3 ³ / ₈ UNF x 0.86 deep
M0532	0.6250 0.6245	1.57	1 ⁹ / ₃₂	0.70	3 ³ / ₁₆	1 ¹ / ₄ UNF x .63 deep	1.3750 1.3745	2.756	2 ³ / ₈	1.507	5 ⁵ / ₁₆	3 ³ / ₈ UNF x 0.75 deep
M0632	0.6250 0.6245	1.57	1 ⁹ / ₃₂	0.70	3 ³ / ₁₆	1 ¹ / ₄ UNF x .63 deep	1.3750 1.3745	2.756	2 ³ / ₈	1.507	5 ⁵ / ₁₆	3 ³ / ₈ UNF x 0.75 deep
M0732	0.7500 0.7495	1.57	1 ⁹ / ₃₂	0.83	3 ³ / ₁₆	1 ¹ / ₄ UNF x .63 deep	1.6250 1.6240	3.15	2 ³ / ₈	1.784	3 ³ / ₈	5 ⁵ / ₈ UNF x 1.25 deep
M0832	0.8750 0.8745	1.97	1 ⁹ / ₃₂	0.96	3 ³ / ₁₆	5 ⁵ / ₁₆ UNF x .63 deep	2.1250 2.1240	3.937	2 ³ / ₄	2.338	1 ¹ / ₂	3 ³ / ₄ UNF x 1.50 deep
M0931	1.1250 1.1245	2.36	2	1.23	1 ¹ / ₄	3 ³ / ₈ UNF x .87 deep	2.3750 2.3740	4.72	3 ¹¹ / ₁₆	2.65	0.625	3 ³ / ₄ UNF x 1.65 deep
M1031	1.3750 1.3745	3.15	2 ¹³ / ₃₂	1.51	5 ⁵ / ₁₆	1 ¹ / ₂ UNF x 1.10 deep	2.875 2.874	5.51	4 ⁵ / ₈	3.20	0.75	3 ³ / ₄ UNF x 1.65 deep
M1331	2.1250 2.1240	4.33	3 ¹³ / ₁₆	2.35	1 ¹ / ₂	3 ³ / ₄ UNF x 1.65 deep	3.625 3.624	6.69	5 ¹⁵ / ₁₆	4.01	0.875	1 UNF x 1.97 deep
M1431	2.1250 2.1240	4.33	3 ¹³ / ₁₆	2.35	1 ¹ / ₂	3 ³ / ₄ UNF x 1.65 deep	4.000 3.999	8.27	7 ¹ / ₂	4.44	1.00	1 UNF x 1.97 deep