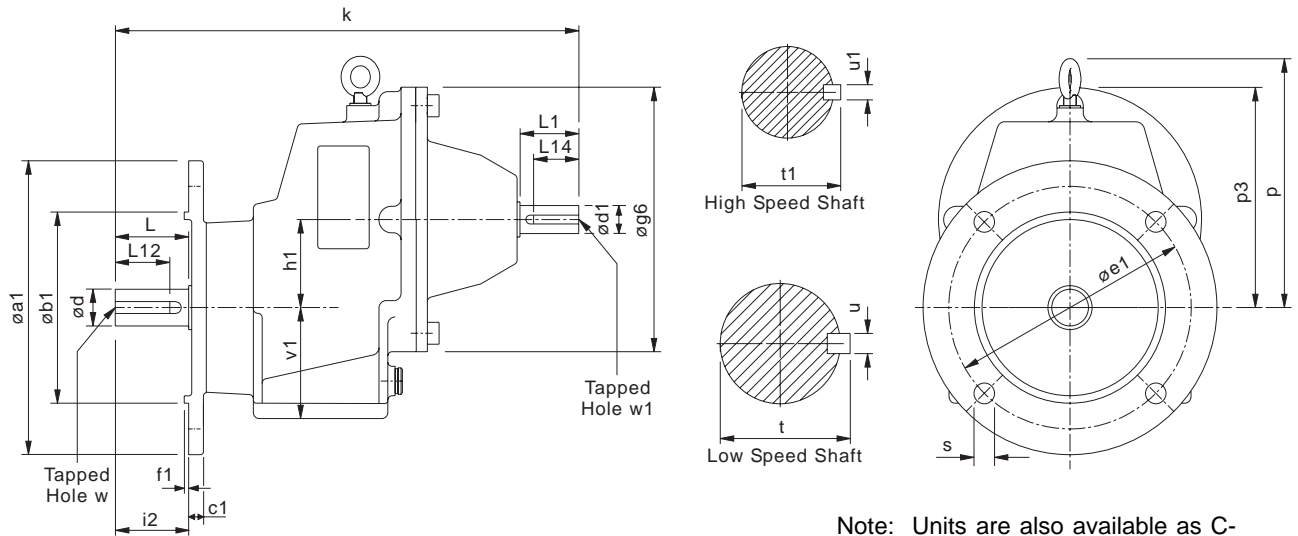


SERIES M

DIMENSIONS - SINGLE REDUCTION FLANGE MOUNT

0112



Note: Units are also available as C-Flange (B14) Mounting or Base and C-Flange (B14) Mounting, please see page 107 for details

SIZE	øa1	øb1	c1	øe1	f1	øg6	h1	i2	k	p	p3	s	v1
M0512	4.72	3.15	0.35	3.94	0.12	5.51	1.85	1.57	10.67	6.10	4.61	0.35	2.20
	5.51	3.74	0.35	4.53	0.12			1.57				0.35	
	6.30	4.33	0.39	5.12	0.14			1.57				0.35	
	7.87	5.12	0.39	6.50	0.14			1.57				0.47	
M0612	4.72	3.15	0.39	3.94	0.12	7.09	2.36	1.97	12.44	7.01	5.91	0.26	2.83
	5.51	3.74	0.39	4.53	0.12			1.97				0.35	
	6.30	4.33	0.39	5.12	0.14			1.97				0.35	
	7.87	5.12	0.39	6.50	0.14			1.97				0.43	
M0712	5.51	3.74	0.39	4.53	0.12	8.35	2.91	2.36	14.25	8.50	7.09	0.35	3.27
	6.30	4.33	0.39	5.12	0.14			2.36				0.35	
	7.87	5.12	0.43	6.50	0.16			2.36				0.43	
	9.84	7.09	0.43	8.46	0.16			2.36				0.53	
M0812	7.87	5.12	0.43	6.50	0.14	9.84	3.82	3.15	17.68	9.92	8.66	0.43	3.82
	9.84	7.09	0.43	8.46	0.16			3.15				0.53	
	11.81	9.06	0.43	10.43	0.16			3.15				0.53	

SIZE	High Speed Shaft						Low Speed Shaft					
	d1	L1	L14	t1	u1	w1	d	L	L12	t	u	w
M0512	0.6250	1.57	1 ⁹ / ₃₂	0.70	3 ³ / ₁₆	1 ¹ / ₄ UNF x .63 deep	0.7500	1.575	1 ⁹ / ₃₂	0.829	3 ³ / ₁₆	1 ¹ / ₄ UNF x 0.63 deep
	0.6245						0.7495					
M0612	0.7500	1.57	1 ⁹ / ₃₂	0.83	3 ³ / ₁₆	1 ¹ / ₄ UNF x .63 deep	1.0000	1.969	1 ⁹ / ₁₆	1.106	1 ¹ / ₄	1 ¹ / ₄ UNF x 0.71 deep
	0.7495						0.9995					
M0712	0.8750	1.97	1 ⁹ / ₃₂	0.96	3 ³ / ₁₆	5 ⁵ / ₁₆ UNF x .63 deep	1.2500	2.362	2	1.359	1 ¹ / ₄	1 ¹ / ₄ UNF x 0.71 deep
	0.8745						1.2495					
M0812	1.1250	2.36	2	1.23	1 ¹ / ₄	3 ³ / ₈ UNF x .87 deep	1.6250	3.15	2 ³ / ₈	1.784	3 ³ / ₈	5 ⁵ / ₈ UNF x 1.25 deep
	1.1245						1.6240					