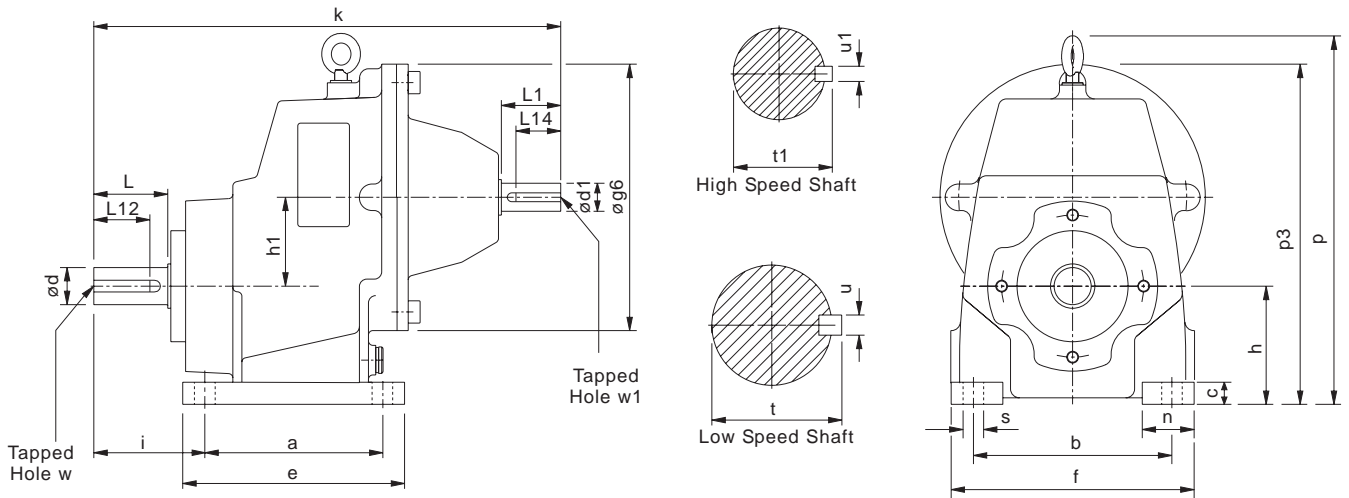


0112



SIZE	a	b	c	e	f	g6	h	h1	i	k	n	p	p3	s
M0512	4.33	4.92	0.67	5.39	5.98	5.51	2.48	1.85	2.20	10.67	1.06	8.58	7.09	0.43
M0612	4.72	5.31	0.79	5.91	6.69	7.09	3.15	2.36	2.95	12.44	1.38	10.16	9.06	0.55
M0712	5.91	6.69	0.98	7.48	8.35	8.35	3.54	2.91	3.35	14.25	1.65	12.05	10.63	0.69
M0812	6.30	8.46	1.18	8.11	10.43	9.84	3.94	3.82	4.33	17.68	2.36	13.86	12.68	0.69

SIZE	High Speed Shaft						Low Speed Shaft					
	d1	L1	L14	t1	u1	w1	d	L	L12	t	u	w
M0512	0.6250 0.6245	1.57	$1^{9/32}$	0.70	$3/16$	$1/4$ UNF x .63 deep	0.7500 0.7495	1.575	$1^{9/32}$	0.829	$3/16$	$1/4$ UNF x 0.63 deep
M0612	0.7500 0.7495	1.57	$1^{9/32}$	0.83	$3/16$	$1/4$ UNF x .63 deep	1.0000 0.9995	1.969	$1^{9/16}$	1.106	$1/4$	$1/4$ UNF x 0.71 deep
M0712	0.8750 0.8745	1.97	$1^{9/32}$	0.96	$3/16$	$5/16$ UNF x .63 deep	1.2500 1.2495	2.362	2	1.359	$1/4$	$1/4$ UNF x 0.71 deep
M0812	1.1250 1.1245	2.36	2	1.23	$1/4$	$3/8$ UNF x .87 deep	1.6250 1.6240	3.15	$2^{3/8}$	1.784	$3/8$	$5/8$ UNF x 1.25 deep