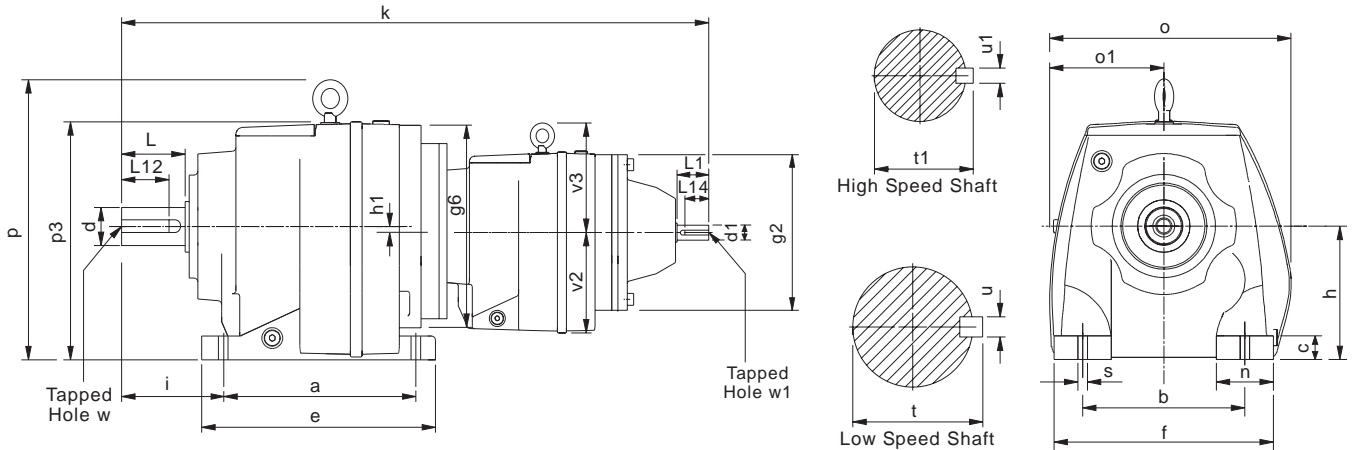


**DIMENSIONS - QUINTUPLE REDUCTION  
BASE MOUNT**

0206



SIZE	a	b	c	e	f	g2	g6	h	h1	i	k	n	o	o1	p	p3	s	v2	v3
<b>M0352</b>	5.12	4.33	0.63	5.98	5.71	5.51	5.51	3.54	-	2.95	19.80	1.38	6.69	3.31	-	7.09	0.39	2.99	-
<b>M0452</b>	6.50	5.31	0.79	7.87	7.48	5.51	7.09	4.53	-	3.54	22.48	2.17	8.03	3.82	-	8.19	0.59	3.58	-
<b>M0552</b>	6.50	5.31	0.79	7.87	7.48	5.51	7.09	4.53	-	3.94	22.87	2.17	8.03	3.82	-	8.19	0.59	3.58	-
<b>M0652</b>	7.68	5.91	0.94	9.25	8.27	5.51	7.09	5.12	0.57	3.94	23.70	2.36	8.66	4.33	9.69	8.43	0.59	3.58	-
<b>M0752</b>	8.07	6.69	0.98	9.65	9.06	5.51	8.35	5.51	-	4.53	25.16	2.36	9.92	4.69	11.61	9.84	0.75	3.58	-
<b>M0852</b>	10.24	8.46	1.38	12.20	11.42	7.09	9.84	7.09	-	5.51	29.57	2.95	12.60	6.57	14.17	12.20	0.75	4.53	-
<b>M0951</b>	12.20	9.84	1.57	14.37	13.39	7.09	9.84	8.86	-	6.30	32.76	3.54	14.65	7.87	17.05	15.51	0.91	4.45	-
<b>M1051</b>	14.57	11.42	1.77	17.32	15.75	7.09	11.81	9.84	-	7.28	37.64	4.33	16.85	8.86	19.88	17.56	1.06	5.43	6.10
<b>M1351</b>	16.14	13.39	1.97	19.29	17.72	8.35	13.78	10.43	-	8.66	42.40	4.33	18.50	9.53	22.17	19.02	1.34	7.36	6.10
<b>M1451</b>	19.69	14.96	1.97	23.23	20.87	8.35	13.78	11.81	-	10.24	46.93	5.91	21.50	10.94	24.80	21.69	1.61	7.36	6.10

SIZE	High Speed Shaft						Low Speed Shaft					
	d1	L1	L14	t1	u1	w1	d	L	L12	t	u	w
<b>M0352</b>	0.6250	1.57	1 <sup>9</sup> / <sub>32</sub>	0.70	3 <sup>3</sup> / <sub>16</sub>	1/4 UNF x .63 deep	1.0000	1.969	1 <sup>9</sup> / <sub>16</sub>	1.106	1/4	1/4 UNF x 0.71 deep
	0.6245						0.9995					
<b>M0452</b>	0.6250	1.57	1 <sup>9</sup> / <sub>32</sub>	0.70	3 <sup>3</sup> / <sub>16</sub>	1/4 UNF x .63 deep	1.2500	2.362	2	1.359	1/4	3/8 UNF x 0.86 deep
	0.6245						1.2495					
<b>M0552</b>	0.6250	1.57	1 <sup>9</sup> / <sub>32</sub>	0.70	3 <sup>3</sup> / <sub>16</sub>	1/4 UNF x .63 deep	1.3750	2.756	2 <sup>3</sup> / <sub>8</sub>	1.507	5/16	3/8 UNF x 0.75 deep
	0.6245						1.3745					
<b>M0652</b>	0.6250	1.57	1 <sup>9</sup> / <sub>32</sub>	0.70	3 <sup>3</sup> / <sub>16</sub>	1/4 UNF x .63 deep	1.3750	2.756	2 <sup>3</sup> / <sub>8</sub>	1.507	5/16	3/8 UNF x 0.75 deep
	0.6245						1.3745					
<b>M0752</b>	0.6250	1.57	1 <sup>9</sup> / <sub>32</sub>	0.70	3 <sup>3</sup> / <sub>16</sub>	1/4 UNF x .63 deep	1.6250	3.15	2 <sup>3</sup> / <sub>8</sub>	1.784	3/8	5/8 UNF x 1.25 deep
	0.6245						1.6240					
<b>M0852</b>	0.6250	1.57	1 <sup>9</sup> / <sub>32</sub>	0.70	3 <sup>3</sup> / <sub>16</sub>	1/4 UNF x .63 deep	2.1250	3.937	2 <sup>3</sup> / <sub>4</sub>	2.338	1/2	3/4 UNF x 1.50 deep
	0.6245						2.1240					
<b>M0951</b>	0.6250	1.57	1 <sup>9</sup> / <sub>32</sub>	0.70	3 <sup>3</sup> / <sub>16</sub>	1/4 UNF x .63 deep	2.3750	4.72	3 <sup>11</sup> / <sub>16</sub>	2.65	0.625	3/4 UNF x 1.65 deep
	0.6245						2.3740					
<b>M1051</b>	0.7500	1.57	1 <sup>9</sup> / <sub>32</sub>	0.83	3 <sup>3</sup> / <sub>16</sub>	1/4 UNF x .63 deep	2.875	5.51	4 <sup>5</sup> / <sub>8</sub>	3.20	0.75	3/4 UNF x 1.65 deep
	0.7495						2.874					
<b>M1351</b>	0.7500	1.57	1 <sup>9</sup> / <sub>32</sub>	0.83	3 <sup>3</sup> / <sub>16</sub>	1/4 UNF x .63 deep	3.625	6.69	5 <sup>15</sup> / <sub>16</sub>	4.01	0.875	1 UNF x 1.97 deep
	0.7495						3.624					
<b>M1451</b>	0.7500	1.57	1 <sup>9</sup> / <sub>32</sub>	0.83	3 <sup>3</sup> / <sub>16</sub>	1/4 UNF x .63 deep	4.000	8.27	7 <sup>1</sup> / <sub>2</sub>	4.44	1.00	1 UNF x 1.97 deep
	0.7495						3.999					