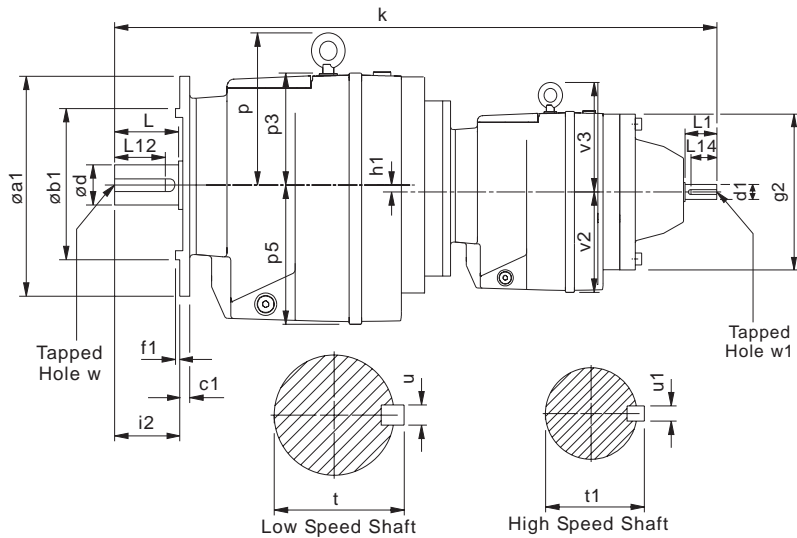
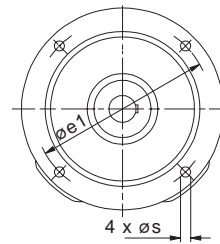


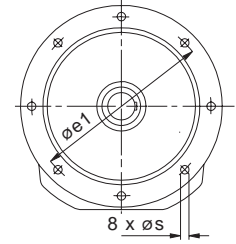
0206



Sizes
3, 4, 5, 6, 7 and 8



Sizes
9, 10, 13 and 14



Note: Sizes 03 to 08 are also available as C-Flange (B14) Mounting, please see page 107 for details.

SIZE	$\phi a1$	$\phi b1$	c1	$\phi e1$	f1	$\phi g2$	h1	i2	k	p	p3	p5	s	v2	v3
M0342	4.72	3.15	0.39	3.94	0.12	5.51	-	1.97	19.80	-	3.54	3.58	0.26	2.99	-
	5.51	3.74	0.39	4.53	0.12			1.97					0.35		
	6.30	4.33	0.39	5.12	0.14			1.97					0.35		
	7.87	5.12	0.39	6.50	0.14			1.97					0.43		
M0442	5.51	3.74	0.43	4.53	0.12	5.51	-	2.36	22.48	-	3.66	4.53	0.35	3.58	-
	6.30	4.33	0.43	5.12	0.14			2.36					0.35		
	7.87	5.12	0.43	6.50	0.14			2.36					0.43		
	9.84	7.09	0.43	8.46	0.16			2.36					0.53		
M0542	5.51	3.74	0.43	4.53	0.12	5.51	-	2.76	22.87	-	3.66	4.53	0.35	3.58	-
	6.30	4.33	0.43	5.12	0.14			2.76					0.35		
	7.87	5.12	0.43	6.50	0.14			2.76					0.43		
	9.84	7.09	0.43	8.46	0.16			2.76					0.53		
M0642	7.87	5.12	0.43	6.50	0.16	5.51	-	2.76	23.70	4.57	3.31	5.12	0.43	3.58	-
	9.84	7.09	0.43	8.46	0.16			2.76					0.53		
	11.81	9.06	0.43	10.43	0.16			2.76					0.53		
M0742	7.87	5.12	0.43	6.50	0.14	5.51	-	3.15	25.16	6.10	4.33	5.51	0.43	3.58	-
	9.84	7.09	0.43	8.46	0.16			3.15					0.53		
M0842	11.81	9.06	0.67	10.43	0.16	7.09	-	3.94	29.57	7.09	5.12	7.17	0.53	4.53	-
	13.78	9.84	0.67	11.81	0.20			3.94					0.69		
M0941	17.72	13.78	0.71	15.75	0.20	7.09	-	5.51	32.76	7.80	-	9.06	0.71	4.53	-
M1041	17.72	13.78	0.87	15.75	0.20	8.35	-	5.51	37.64	9.65	-	10.24	0.71	5.51	6.10
M1341	21.65	17.72	0.98	19.69	0.20	8.35	-	6.69	42.40	11.34	-	10.94	0.71	5.51	6.10
M1441	21.65	17.72	0.98	19.69	0.20	8.35	-	8.27	46.93	12.60	-	12.52	0.71	5.51	6.10

SIZE	High Speed Shaft						Low Speed Shaft					
	d1	L1	L14	t1	u1	w1	d	L	L12	t	u	w
M0342	0.6250	1.57	1 ⁹ / ₃₂	0.70	3 ³ / ₁₆	1 ¹ / ₄ UNF	1.0000	1.969	1 ⁹ / ₁₆	1.106	1 ¹ / ₄	1 ¹ / ₄ UNF x
	0.6245					x .63 deep	0.9995					0.71 deep
M0442	0.6250	1.57	1 ⁹ / ₃₂	0.70	3 ³ / ₁₆	1 ¹ / ₄ UNF	1.2500	2.362	2	1.359	1 ¹ / ₄	3 ³ / ₈ UNF x
	0.6245					x .63 deep	1.2495					0.86 deep
M0542	0.6250	1.57	1 ⁹ / ₃₂	0.70	3 ³ / ₁₆	1 ¹ / ₄ UNF	1.3750	2.756	2 ³ / ₈	1.507	5 ⁵ / ₁₆	3 ³ / ₈ UNF x
	0.6245					x .63 deep	1.3745					0.75 deep
M0642	0.6250	1.57	1 ⁹ / ₃₂	0.70	3 ³ / ₁₆	1 ¹ / ₄ UNF	1.3750	2.756	2 ³ / ₈	1.507	5 ⁵ / ₁₆	3 ³ / ₈ UNF x
	0.6245					x .63 deep	1.3745					0.75 deep
M0742	0.6250	1.57	1 ⁹ / ₃₂	0.70	3 ³ / ₁₆	1 ¹ / ₄ UNF	1.6250	3.15	2 ³ / ₈	1.784	3 ³ / ₈	5 ⁵ / ₈ UNF x
	0.6245					x .63 deep	1.6240					1.25 deep
M0842	0.7500	1.57	1 ⁹ / ₃₂	0.83	3 ³ / ₁₆	1 ¹ / ₄ UNF	2.1250	3.937	2 ³ / ₄	2.338	1 ¹ / ₂	3 ³ / ₄ UNF x
	0.7495					x .63 deep	2.1240					1.50 deep
M0941	0.7500	1.57	1 ⁹ / ₃₂	0.83	3 ³ / ₁₆	1 ¹ / ₄ UNF	2.3750	4.72	3 ¹¹ / ₁₆	2.65	0.625	3 ³ / ₄ UNF x
	0.7495					x .63 deep	2.3740					1.65 deep
M1041	0.8750	1.97	1 ⁹ / ₃₂	0.96	3 ³ / ₁₆	5 ⁵ / ₁₆ UNF	2.875	5.51	4 ⁵ / ₈	3.20	0.75	3 ³ / ₄ UNF x
	0.8745					x .63 deep	2.874					1.65 deep
M1341	0.8750	1.97	1 ⁹ / ₃₂	0.96	3 ³ / ₁₆	5 ⁵ / ₁₆ UNF	3.625	6.69	5 ¹⁵ / ₁₆	4.01	0.875	1 UNF x
	0.8745					x .63 deep	3.624					1.97 deep
M1441	0.8750	1.97	1 ⁹ / ₃₂	0.96	3 ³ / ₁₆	5 ⁵ / ₁₆ UNF	4.000	8.27	7 ¹ / ₂	4.44	1.00	1 UNF x
	0.8745					x .63 deep	3.999					1.97 deep