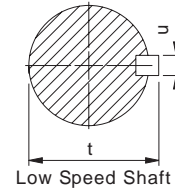
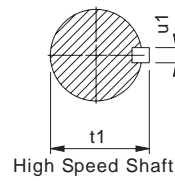
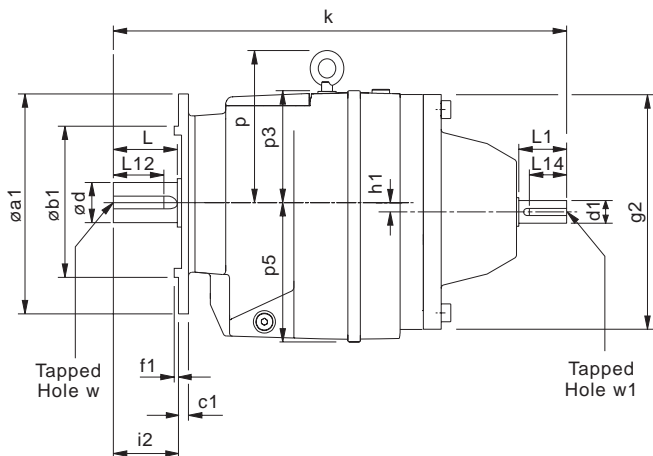


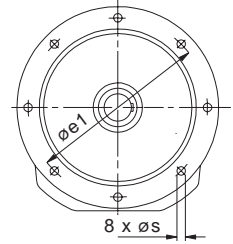
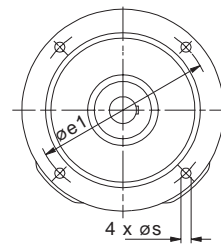
**DIMENSIONS - DOUBLE REDUCTION  
FLANGE MOUNT**

0112



**Sizes**  
1, 2, 3, 4, 5, 6, 7 and 8

**Sizes**  
9, 10, 13 and 14



Note: Sizes 01 to 08 are also available as C-Flange (B14) Mounting, please see page 107 for details.

SIZE	$\phi a1$	$\phi b1$	c1	$\phi e1$	f1	$\phi g2$	h1	i2	k	p	p3	p5	s
<b>M0122</b>	4.72	3.15	0.35	3.94	0.12	5.51	-	1.57	11.26	-	2.91	2.99	0.35
	5.51	3.74	0.35	4.53	0.12			1.57					0.35
	6.30	4.33	0.39	5.12	0.14			1.57					0.35
	7.87	5.12	0.39	6.50	0.14			1.57					0.43
<b>M0222</b>	4.72	3.15	0.39	3.94	0.12	5.51	-	1.97	12.48	-	3.54	3.58	0.26
	5.51	3.74	0.39	4.53	0.12			1.97					0.35
	6.30	4.33	0.39	5.12	0.14			1.97					0.35
	7.87	5.12	0.39	6.50	0.14			1.97					0.43
<b>M0322</b>	4.72	3.15	0.39	3.94	0.12	5.51	-	1.97	12.48	-	3.54	3.58	0.26
	5.51	3.74	0.39	4.53	0.12			1.97					0.35
	6.30	4.33	0.39	5.12	0.14			1.97					0.35
	7.87	5.12	0.39	6.50	0.14			1.97					0.43
<b>M0422</b>	5.51	3.74	0.43	4.53	0.12	7.09	-	2.36	14.53	-	3.66	4.53	0.35
	6.30	4.33	0.43	5.12	0.14			2.36					0.35
	7.87	5.12	0.43	6.50	0.14			2.36					0.43
	9.84	7.09	0.43	8.46	0.16			2.36					0.53
<b>M0522</b>	5.51	3.74	0.43	4.53	0.12	7.09	-	2.76	14.92	-	3.66	4.53	0.35
	6.30	4.33	0.43	5.12	0.14			2.76					0.35
	7.87	5.12	0.43	6.50	0.14			2.76					0.43
	9.84	7.09	0.43	8.46	0.16			2.76					0.53
<b>M0622</b>	7.87	5.12	0.43	6.50	0.16	7.09	0.57	2.76	15.75	4.57	3.31	5.12	0.43
	9.84	7.09	0.43	8.46	0.16			2.76					0.53
	11.81	9.06	0.43	10.43	0.16			2.76					0.53
	7.87	5.12	0.43	6.50	0.14			3.15					0.43
<b>M0722</b>	9.84	7.09	0.43	8.46	0.16	8.35	-	3.15	17.32	6.10	4.33	5.51	0.53
	11.81	9.06	0.43	10.43	0.16			3.15					0.53
	11.81	9.06	0.67	10.43	0.16			3.94					0.53
	13.78	9.84	0.67	11.81	0.20			3.94					0.69
<b>M0921</b>	17.72	13.78	0.71	15.75	0.20	11.81	-	5.51	25.98	7.80	-	9.06	0.71
<b>M1021</b>	17.72	13.78	0.87	15.75	0.20	14.17	-	5.51	30.79	9.65	-	10.24	0.71
<b>M1321</b>	21.65	17.72	0.98	19.69	0.20	15.75	-	6.69	35.71	11.34	-	10.94	0.71
<b>M1421</b>	21.65	17.72	0.98	19.69	0.20	18.11	-	8.27	40.24	12.60	-	12.52	0.71

SIZE	High Speed Shaft						Low Speed Shaft					
	d1	L1	L14	t1	u1	w1	d	L	L12	t	u	w
<b>M0122</b>	0.6250	1.57	1 <sup>9</sup> / <sub>32</sub>	0.70	3 <sup>1</sup> / <sub>16</sub>	1/4 UNF x .63 deep	0.7500	1.575	1 <sup>9</sup> / <sub>32</sub>	0.829	3 <sup>1</sup> / <sub>16</sub>	1/4 UNF x .63 deep
	0.6245						0.7495					
<b>M0222</b>	0.6250	1.57	1 <sup>9</sup> / <sub>32</sub>	0.70	3 <sup>1</sup> / <sub>16</sub>	1/4 UNF x .63 deep	1.0000	1.969	1 <sup>9</sup> / <sub>16</sub>	1.106	1/4	1/4 UNF x .71 deep
	0.6245						0.9995					
<b>M0322</b>	0.6250	1.57	1 <sup>9</sup> / <sub>32</sub>	0.70	3 <sup>1</sup> / <sub>16</sub>	1/4 UNF x .63 deep	1.0000	1.969	1 <sup>9</sup> / <sub>16</sub>	1.106	1/4	1/4 UNF x .71 deep
	0.6245						0.9995					
<b>M0422</b>	0.7500	1.57	1 <sup>9</sup> / <sub>32</sub>	0.83	3 <sup>1</sup> / <sub>16</sub>	1/4 UNF x .63 deep	1.2500	2.362	2	1.359	1/4	3/8 UNF x .86 deep
	0.7495						1.2495					
<b>M0522</b>	0.7500	1.57	1 <sup>9</sup> / <sub>32</sub>	0.83	3 <sup>1</sup> / <sub>16</sub>	1/4 UNF x .63 deep	1.3750	2.756	2 <sup>3</sup> / <sub>8</sub>	1.507	5 <sup>1</sup> / <sub>16</sub>	3/8 UNF x .75 deep
	0.7495						1.3745					
<b>M0622</b>	0.7500	1.57	1 <sup>9</sup> / <sub>32</sub>	0.83	3 <sup>1</sup> / <sub>16</sub>	1/4 UNF x .63 deep	1.3750	2.756	2 <sup>3</sup> / <sub>8</sub>	1.507	5 <sup>1</sup> / <sub>16</sub>	3/8 UNF x .75 deep
	0.7495						1.3745					
<b>M0722</b>	0.8750	1.97	1 <sup>9</sup> / <sub>32</sub>	0.96	3 <sup>1</sup> / <sub>16</sub>	5/16 UNF x .63 deep	1.6250	3.15	2 <sup>3</sup> / <sub>8</sub>	1.784	3/8	5/8 UNF x 1.25 deep
	0.8745						1.6240					
<b>M0822</b>	1.1250	2.36	2	1.23	1/4	3/8 UNF x .87 deep	2.1250	3.937	2 <sup>3</sup> / <sub>4</sub>	2.338	1/2	3/4 UNF x 1.50 deep
	1.1245						2.1240					
<b>M0921</b>	1.3750	3.15	2 <sup>13</sup> / <sub>32</sub>	1.51	5 <sup>1</sup> / <sub>16</sub>	1/2 UNF x 1.10 deep	2.3750	4.72	3 <sup>11</sup> / <sub>16</sub>	2.65	0.625	3/4 UNF x 1.65 deep
	1.3745						2.3740					
<b>M1021</b>	1.6250	4.33	3 <sup>11</sup> / <sub>16</sub>	1.79	3/8	5/8 UNF x 1.42 deep	2.875	5.51	4 <sup>5</sup> / <sub>8</sub>	3.20	0.75	3/4 UNF x 1.65 deep
	1.6240						2.874					
<b>M1321</b>	2.1250	4.33	3 <sup>13</sup> / <sub>16</sub>	2.35	1/2	3/4 UNF x 1.65 deep	3.625	6.69	5 <sup>15</sup> / <sub>16</sub>	4.01	0.875	1 UNF x 1.97 deep
	2.1240						3.624					
<b>M1421</b>	2.1250	4.33	3 <sup>13</sup> / <sub>16</sub>	2.35	1/2	3/4 UNF x 1.65 deep	4.000	8.27	7 <sup>1</sup> / <sub>2</sub>	4.44	1.00	1 UNF x 1.97 deep
	2.1240						3.999					