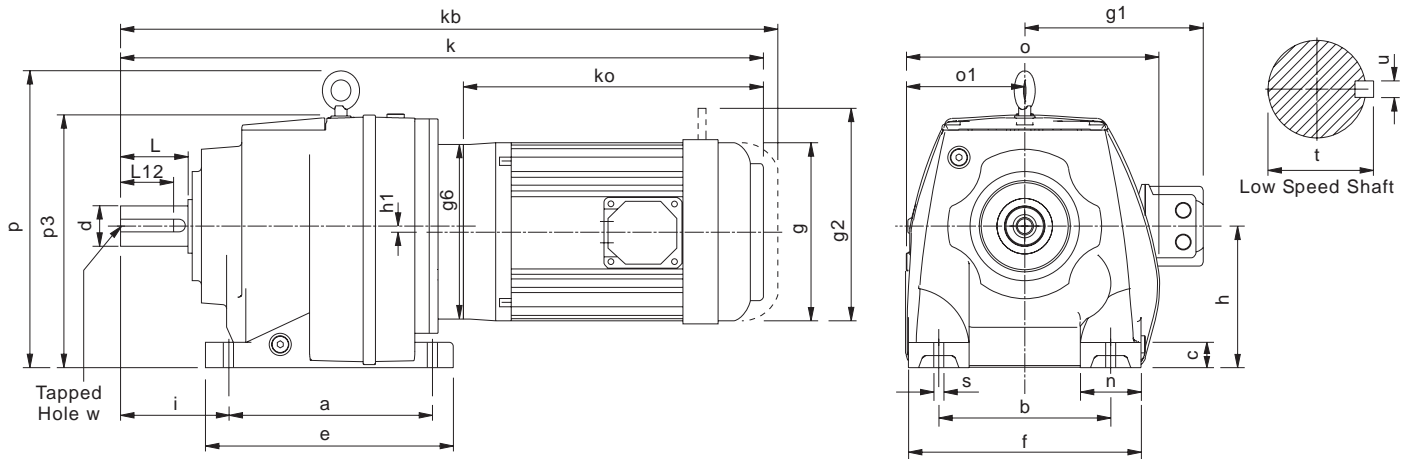


# SERIES M

## DIMENSIONS - TRIPLE REDUCTION BASE MOUNT

0311



SIZE	a	b	c	e	f	h	h1	i	n	o	o1	p	p3	s	Low Speed Shaft					
															d	L	L12	t	u	w
<b>M0132</b>	4.33	4.33	0.47	5.16	5.31	2.95	-	2.28	0.98	5.98	2.99	-	5.87	0.39	0.75	1.575	1 <sup>9</sup> / <sub>32</sub>	0.829	3 <sup>1</sup> / <sub>16</sub>	1/4 UNF x 0.63 deep
<b>M0232</b>	5.12	4.33	0.63	5.98	5.71	3.54	-	2.95	1.38	6.69	3.31	-	7.09	0.39	1.0	1.969	1 <sup>9</sup> / <sub>16</sub>	1.106	1/4	1/4 UNF x 0.71 deep
<b>M0332</b>	5.12	4.33	0.63	5.98	5.71	3.54	-	2.95	1.38	6.69	3.31	-	7.09	0.39	1.0	1.969	1 <sup>9</sup> / <sub>16</sub>	1.106	1/4	1/4 UNF x 0.71 deep
<b>M0432</b>	6.50	5.31	0.79	7.87	7.48	4.53	-	3.54	2.17	8.03	3.82	-	8.19	0.59	1.25	2.362	2	1.359	1/4	3/8 UNF x 0.86 deep
<b>M0532</b>	6.50	5.31	0.79	7.87	7.48	4.53	-	3.94	2.17	8.03	3.82	-	8.19	0.59	1.375	2.756	2 <sup>3</sup> / <sub>8</sub>	1.507	5/16	3/8 UNF x 0.75 deep
<b>M0632</b>	7.68	5.91	0.94	9.25	8.27	5.12	0.57	3.94	2.36	8.66	4.33	9.69	8.43	0.59	1.375	2.756	2 <sup>3</sup> / <sub>8</sub>	1.507	5/16	3/8 UNF x 0.75 deep
<b>M0732</b>	8.07	6.69	0.98	9.65	9.06	5.51	-	4.53	2.36	9.92	4.69	11.61	9.84	0.75	1.625	3.15	2 <sup>3</sup> / <sub>8</sub>	1.784	3/8	5/8 UNF x 1.25 deep
<b>M0832</b>	10.24	8.46	1.38	12.20	11.42	7.09	-	5.51	2.95	12.60	6.57	14.17	12.20	0.75	2.125	3.937	2 <sup>3</sup> / <sub>4</sub>	2.338	1/2	3/4 UNF x 1.50 deep
<b>M0931</b>	12.20	9.84	1.57	14.37	13.39	8.86	-	6.30	3.54	14.65	7.87	17.05	15.51	0.91	2.375	4.72	3 <sup>11</sup> / <sub>16</sub>	2.65	0.625	3/4 UNF x 1.65 deep
<b>M1031</b>	14.57	11.42	1.77	17.32	15.75	9.84	-	7.28	4.33	16.85	8.86	19.88	17.56	1.06	2.875	5.51	4 <sup>5</sup> / <sub>8</sub>	3.20	0.75	3/4 UNF x 1.65 deep
<b>M1331</b>	16.14	13.39	1.97	19.29	17.72	10.43	-	8.66	4.33	18.50	9.53	22.17	19.02	1.34	3.625	6.69	5 <sup>15</sup> / <sub>16</sub>	4.01	0.875	1 UNF x 1.97 deep
<b>M1431</b>	19.69	14.96	1.97	23.23	20.87	11.81	-	10.24	5.91	21.50	10.94	24.80	21.69	1.61	4.00	8.27	7 <sup>1</sup> / <sub>2</sub>	4.44	1.00	1 UNF x 1.97 deep

	ALL SIZES OF IEC MOTOR						M0132		M0232		M0332		M0432		M0532		M0632	
	Ko*	g	g1**	g2	g6		K*	Kb*	K*	Kb*	K*	Kb*	K*	Kb*	K*	Kb*	K*	Kb*
63	8.58	4.80	3.78	6.30	5.51		17.40	13.62	18.54	14.76	18.54	14.76	20.39	16.61	20.79	17.01	21.61	17.83
71	8.70	5.43	4.02	6.57	4.13		17.68	14.41	18.82	15.55	18.82	15.55	20.67	17.40	21.06	17.80	21.89	18.62
80A	9.41	6.18	4.92	7.48	4.72		18.90	15.67	20.04	16.81	20.04	16.81	21.89	18.66	22.28	19.06	23.11	19.88
80B	9.76	6.18	4.92	7.48	4.72		19.25	15.67	20.39	16.81	20.39	16.81	22.24	18.66	22.64	19.06	23.46	19.88
90S	10.24	6.97	5.24	8.58	5.51		20.12	16.85	21.26	17.99	21.26	17.99	23.11	19.84	23.50	20.24	24.33	21.06
90L	10.83	6.97	5.24	8.58	5.51		20.71	16.85	21.85	17.99	21.85	17.99	23.70	19.84	24.09	20.24	24.92	21.06
90LA	11.18	6.97	5.24	8.58	5.51		21.06	16.85	22.20	17.99	22.20	17.99	24.06	19.84	24.45	20.24	25.28	21.06
100L	12.20	7.76	5.67	9.37	6.30		21.65	17.20	22.80	18.35	22.80	18.35	24.65	20.20	25.04	20.59	25.87	21.42
112M	12.80	8.62	6.10	9.37	6.30		22.24	18.07	23.39	19.21	23.39	19.21	25.24	21.06	25.63	21.46	26.46	22.28
112MA	13.54	8.62	6.10	9.37	6.30		22.99	18.07	24.13	19.21	24.13	19.21	25.98	21.06	26.38	21.46	27.20	22.28
132SA	15.43	9.25	6.77	11.34	7.87		-	-	-	-	-	-	-	-	-	-	-	-
132M	16.22	9.25	6.77	11.34	7.87		-	-	-	-	-	-	-	-	-	-	-	-
132MA	17.17	9.25	6.77	11.34	7.87		-	-	-	-	-	-	-	-	-	-	-	-
132MB	18.58	9.25	6.77	11.34	7.87		-	-	-	-	-	-	-	-	-	-	-	-
160M	17.91	10.75	11.10	12.72	13.78		-	-	-	-	-	-	-	-	-	-	-	-
160L	19.69	10.75	11.10	12.72	13.78		-	-	-	-	-	-	-	-	-	-	-	-
180M	21.93	15.04	12.09	-	13.78		-	-	-	-	-	-	-	-	-	-	-	-
180L	23.43	15.04	12.09	-	13.78		-	-	-	-	-	-	-	-	-	-	-	-
200L	25.91	16.54	14.65	-	15.75		-	-	-	-	-	-	-	-	-	-	-	-
225S	26.42	18.03	16.81	-	17.72		-	-	-	-	-	-	-	-	-	-	-	-
225M	27.40	18.03	16.81	-	17.72		-	-	-	-	-	-	-	-	-	-	-	-
250M	30.35	20.08	19.29	-	21.65		-	-	-	-	-	-	-	-	-	-	-	-
280S	32.95	22.68	20.47	-	21.65		-	-	-	-	-	-	-	-	-	-	-	-
280M	34.96	22.68	20.47	-	21.65		-	-	-	-	-	-	-	-	-	-	-	-

**DIMENSIONS - TRIPLE REDUCTION  
BASE MOUNT**

0311

	ALL SIZES OF IEC MOTOR					M0732		M0832		M0931		M1031		M1331		M1431	
	Ko*	g	g1**	g2	g6	K*	Kb*	K*	Kb*	K*	Kb*	K*	Kb*	K*	Kb*	K*	Kb*
63	8.58	4.80	3.78	6.30	5.51	-	-	-	-	-	-	-	-	-	-	-	-
71	8.70	5.43	4.02	6.57	4.13	-	-	-	-	-	-	-	-	-	-	-	-
80A	9.41	6.18	4.92	7.48	4.72	24.25	21.02	27.60	24.37	12.72	9.49	13.27	10.04	-	-	-	-
80B	9.76	6.18	4.92	7.48	4.72	24.61	21.02	27.95	24.37	13.07	9.49	13.62	10.04	-	-	-	-
90S	10.24	6.97	5.24	8.58	5.51	25.47	22.20	28.82	25.55	13.54	10.28	14.09	10.83	-	-	-	-
90L	10.83	6.97	5.24	8.58	5.51	26.06	22.20	29.41	25.55	14.13	10.28	14.69	10.83	-	-	-	-
90LA	11.18	6.97	5.24	8.58	5.51	26.42	22.20	29.76	25.55	14.49	10.28	15.04	10.83	-	-	-	-
100L	12.20	7.76	5.67	9.37	6.30	28.50	24.06	31.22	26.77	15.75	11.30	16.30	11.85	18.43	13.98	17.99	13.54
112M	12.80	8.62	6.10	9.37	6.30	29.09	24.92	31.81	27.64	16.34	12.17	16.89	12.72	19.02	14.84	18.58	14.41
112MA	13.54	8.62	6.10	9.37	6.30	29.84	24.92	32.56	27.64	17.09	12.17	17.64	12.72	19.76	14.84	19.33	14.41
132SA	15.43	9.25	6.77	11.34	7.87	31.69	25.51	35.35	29.17	-	-	19.53	13.35	21.65	15.47	21.22	15.04
132M	16.22	9.25	6.77	11.34	7.87	32.48	25.51	36.14	29.17	-	-	20.31	13.35	22.44	15.47	22.01	15.04
132MA	17.17	9.25	6.77	11.34	7.87	33.43	25.51	37.09	29.17	-	-	21.26	13.35	23.39	15.47	22.95	15.04
132MB	18.58	9.25	6.77	11.34	7.87	34.84	25.51	38.50	29.17	-	-	22.68	13.35	24.80	15.47	24.37	15.04
160M	17.91	10.75	11.10	12.72	13.78	-	-	38.15	30.98	-	-	23.39	16.22	23.86	16.69	23.43	16.26
160L	19.69	10.75	11.10	12.72	13.78	-	-	39.92	30.98	-	-	25.16	16.22	25.63	16.69	25.20	16.26
180M	21.93	15.04	12.09	-	13.78	-	-	-	-	-	-	27.40	-	27.87	-	27.44	-
180L	23.43	15.04	12.09	-	13.78	-	-	-	-	-	-	28.90	-	29.37	-	28.94	-
200L	25.91	16.54	14.65	-	15.75	-	-	-	-	-	-	31.38	-	31.85	-	31.42	-
225S	26.42	18.03	16.81	-	17.72	-	-	-	-	-	-	32.95	-	33.43	-	32.99	-
225M	27.40	18.03	16.81	-	17.72	-	-	-	-	-	-	33.94	-	34.41	-	33.98	-
250M	30.35	20.08	19.29	-	21.65	-	-	-	-	-	-	-	-	44.13	-	43.70	-
280S	32.95	22.68	20.47	-	21.65	-	-	-	-	-	-	-	-	46.73	-	46.30	-
280M	34.96	22.68	20.47	-	21.65	-	-	-	-	-	-	-	-	48.74	-	48.31	-

	ALL SIZES OF NEMA MOTOR					M0132		M0232		M0332		M0432		M0532		M0632	
	Ko*	g	g1**	g2	g6	K*	Kb*	K*	Kb*	K*	Kb*	K*	Kb*	K*	Kb*	K*	Kb*
56C	12.00	7.19	5.00	-	6.50	22.04	-	23.18	-	23.18	-	25.03	-	25.43	-	26.25	-
143-145TC	12.00	7.19	5.25	-	6.50	22.04	-	23.18	-	23.18	-	25.03	-	25.43	-	26.25	-
182-184TC	15.50	8.50	5.88	-	9.00	24.79	-	25.93	-	25.93	-	27.78	-	28.18	-	29.00	-
213-215TC	16.50	10.19	7.38	-	9.00	-	-	-	-	-	-	-	-	-	-	-	-
254-256TC	20.00	12.50	9.63	-	10.00	-	-	-	-	-	-	-	-	-	-	-	-
284-286TC	23.25	15.56	13.13	-	11.25	-	-	-	-	-	-	-	-	-	-	-	-
324-326TC	25.25	16.94	14.13	-	13.38	-	-	-	-	-	-	-	-	-	-	-	-
364-365TC	27.00	19.00	15.13	-	13.38	-	-	-	-	-	-	-	-	-	-	-	-
404-405TC	30.00	20.63	18.00	-	13.38	-	-	-	-	-	-	-	-	-	-	-	-

	ALL SIZES OF NEMA MOTOR					M0732		M0832		M0931		M1031		M1331		M1431	
	Ko*	g	g1**	g2	g6	K*	Kb*	K*	Kb*	K*	Kb*	K*	Kb*	K*	Kb*	K*	Kb*
56C	12.00	7.19	5.00	-	6.50	27.39	-	30.78	-	-	-	-	-	-	-	-	-
143-145TC	12.00	7.19	5.25	-	6.50	27.39	-	30.78	-	-	-	-	-	-	-	-	-
182-184TC	15.50	8.50	5.88	-	9.00	31.88	-	34.63	-	19.48	-	19.59	-	21.96	-	21.52	-
213-215TC	16.50	10.19	7.38	-	9.00	32.88	-	35.63	-	20.48	-	20.59	-	22.96	-	22.52	-
254-256TC	20.00	12.50	9.63	-	10.00	-	-	39.06	-	25.35	-	25.47	-	26.46	-	26.02	-
284-286TC	23.25	15.56	13.13	-	11.25	-	-	-	-	28.72	-	28.84	-	29.82	-	29.39	-
324-326TC	25.25	16.94	14.13	-	13.38	-	-	-	-	31.35	-	31.47	-	32.45	-	32.02	-
364-365TC	27.00	19.00	15.13	-	13.38	-	-	-	-	-	-	-	-	40.90	-	40.46	-
404-405TC	30.00	20.63	18.00	-	13.38	-	-	-	-	-	-	-	-	45.28	-	44.84	-

kb - for brake motors  
g2 - hand release if required

\*Motor Lengths for TPT standard motors, These lengths may vary if alternative motor is fitted.

\*\*Dimension over terminal box from centreline.