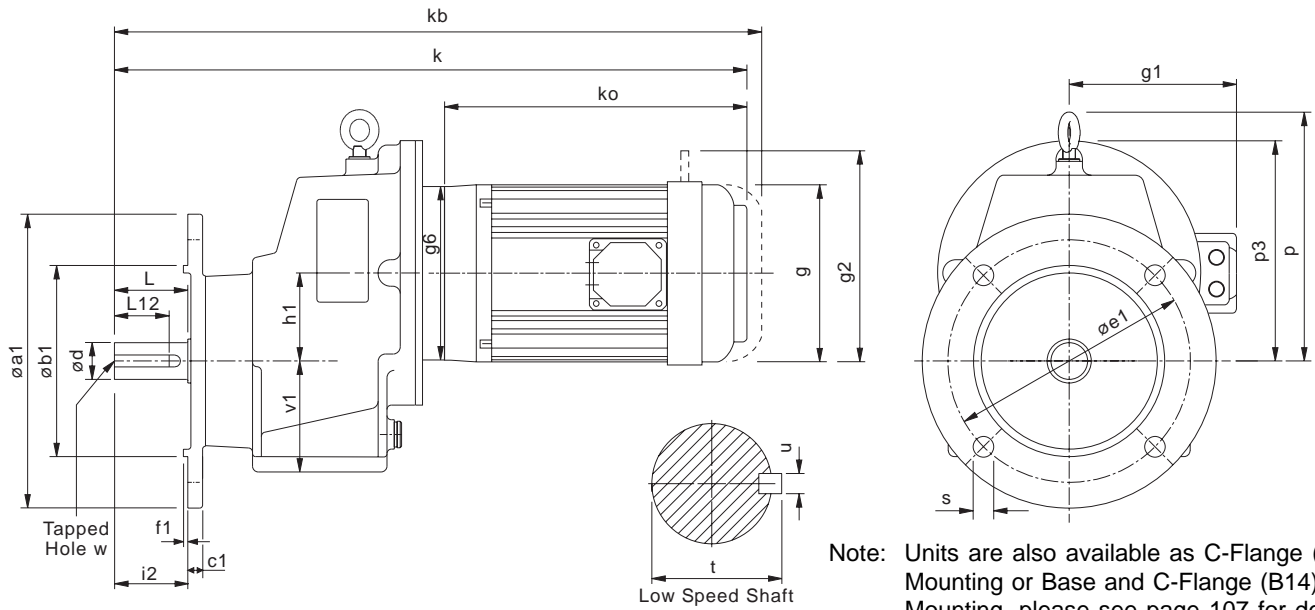


**DIMENSIONS - SINGLE REDUCTION FLANGE MOUNT**

0311



Note: Units are also available as C-Flange (B14) Mounting or Base and C-Flange (B14) Mounting, please see page 107 for details

| SIZE         | $\varnothing a1$ | $\varnothing b1$ | c1   | $\varnothing e1$ | f1   | h1   | i2   | p    | p3   | s    | v1   | Low Speed Shaft |       |                                |       |                                |                     |
|--------------|------------------|------------------|------|------------------|------|------|------|------|------|------|------|-----------------|-------|--------------------------------|-------|--------------------------------|---------------------|
|              |                  |                  |      |                  |      |      |      |      |      |      |      | d               | L     | L12                            | t     | u                              | w                   |
| <b>M0512</b> | 4.72             | 3.15             | 0.35 | 3.94             | 0.12 | 1.85 | 1.57 | 6.10 | 4.61 | 0.35 | 2.20 | 0.75            | 1.575 | 1 <sup>9</sup> / <sub>32</sub> | 0.829 | 3 <sup>1</sup> / <sub>16</sub> | 1/4 UNF x 0.63 deep |
|              | 5.51             | 3.74             | 0.35 | 4.53             | 0.12 |      | 1.57 |      |      | 0.35 |      |                 |       |                                |       |                                |                     |
|              | 6.30             | 4.33             | 0.39 | 5.12             | 0.14 |      | 1.57 |      |      | 0.35 |      |                 |       |                                |       |                                |                     |
|              | 7.87             | 5.12             | 0.39 | 6.50             | 0.14 |      | 1.57 |      |      | 0.47 |      |                 |       |                                |       |                                |                     |
| <b>M0612</b> | 4.72             | 3.15             | 0.39 | 3.94             | 0.12 | 2.36 | 1.97 | 7.01 | 5.91 | 0.26 | 2.83 | 1.00            | 1.969 | 1 <sup>9</sup> / <sub>16</sub> | 1.106 | 1/4                            | 1/4 UNF x 0.71 deep |
|              | 5.51             | 3.74             | 0.39 | 4.53             | 0.12 |      | 1.97 |      |      | 0.35 |      |                 |       |                                |       |                                |                     |
|              | 6.30             | 4.33             | 0.39 | 5.12             | 0.14 |      | 1.97 |      |      | 0.35 |      |                 |       |                                |       |                                |                     |
|              | 7.87             | 5.12             | 0.39 | 6.50             | 0.14 |      | 1.97 |      |      | 0.43 |      |                 |       |                                |       |                                |                     |
| <b>M0712</b> | 5.51             | 3.74             | 0.39 | 4.53             | 0.12 | 2.91 | 2.36 | 8.50 | 7.09 | 0.35 | 3.27 | 1.25            | 2.362 | 2                              | 1.359 | 1/4                            | 1/4 UNF x 0.71 deep |
|              | 6.30             | 4.33             | 0.39 | 5.12             | 0.14 |      | 2.36 |      |      | 0.35 |      |                 |       |                                |       |                                |                     |
|              | 7.87             | 5.12             | 0.43 | 6.50             | 0.16 |      | 2.36 |      |      | 0.43 |      |                 |       |                                |       |                                |                     |
|              | 9.84             | 7.09             | 0.43 | 8.46             | 0.16 |      | 2.36 |      |      | 0.53 |      |                 |       |                                |       |                                |                     |
| <b>M0812</b> | 7.87             | 5.12             | 0.43 | 6.50             | 0.16 | 3.82 | 3.15 | 9.92 | 8.66 | 0.43 | 3.82 | 1.625           | 3.150 | 2 <sup>3</sup> / <sub>8</sub>  | 1.784 | 3/8                            | 5/8 UNF x 1.25 deep |
|              | 9.84             | 7.09             | 0.43 | 8.46             | 0.16 |      | 3.15 |      |      | 0.53 |      |                 |       |                                |       |                                |                     |
|              | 11.81            | 9.06             | 0.43 | 10.43            | 0.16 |      | 3.15 |      |      | 0.53 |      |                 |       |                                |       |                                |                     |

|       | ALL SIZES OF IEC MOTOR |       |       |       |       | M0512 |       | M0612 |       |
|-------|------------------------|-------|-------|-------|-------|-------|-------|-------|-------|
|       | Ko*                    | g     | g1**  | g2    | g6    | K*    | Kb*   | K*    | Kb*   |
| 63    | 8.58                   | 4.80  | 3.78  | 6.30  | 5.51  | 16.73 | 18.50 | 16.77 | 18.54 |
| 71    | 8.70                   | 5.43  | 4.02  | 6.57  | 4.13  | 17.01 | 18.74 | 17.13 | 18.86 |
| 80A   | 9.41                   | 6.18  | 4.92  | 7.48  | 4.72  | 18.23 | 20.28 | 18.54 | 20.59 |
| 80B   | 9.76                   | 6.18  | 4.92  | 7.48  | 4.72  | 18.58 | 20.63 | 18.90 | 20.94 |
| 90S   | 10.24                  | 6.97  | 5.24  | 8.58  | 5.51  | 19.45 | 21.50 | 19.76 | 21.81 |
| 90L   | 10.83                  | 6.97  | 5.24  | 8.58  | 5.51  | 20.04 | 22.09 | 20.35 | 22.40 |
| 90LA  | 11.18                  | 6.97  | 5.24  | 8.58  | 5.51  | 20.39 | 22.44 | 20.71 | 22.76 |
| 100L  | 12.20                  | 7.76  | 5.67  | 9.37  | 6.30  | 20.98 | 23.35 | 22.80 | 25.16 |
| 112M  | 12.80                  | 8.62  | 6.10  | 9.37  | 6.30  | 21.57 | 24.49 | 23.39 | 26.30 |
| 112MA | 13.54                  | 8.62  | 6.10  | 9.37  | 6.30  | 22.32 | 25.28 | 24.13 | 27.09 |
| 132SA | 15.43                  | 9.25  | 6.77  | 11.34 | 7.87  | -     | -     | 25.98 | 29.25 |
| 132M  | 16.22                  | 9.25  | 6.77  | 11.34 | 7.87  | -     | -     | 26.77 | 30.04 |
| 132MA | 17.17                  | 9.25  | 6.77  | 11.34 | 7.87  | -     | -     | 27.72 | 30.98 |
| 132MB | 18.58                  | 9.25  | 6.77  | 11.34 | 7.87  | -     | -     | 29.13 | 32.40 |
| 160M  | 17.91                  | 10.75 | 11.10 | 12.72 | 13.78 | -     | -     | -     | -     |
| 160L  | 19.69                  | 10.75 | 11.10 | 12.72 | 13.78 | -     | -     | -     | -     |

**DIMENSIONS - SINGLE REDUCTION  
FLANGE MOUNT**

0311

|       | ALL SIZES OF IEC MOTOR |       |       |       |       | M0712 |       | M0812 |       |
|-------|------------------------|-------|-------|-------|-------|-------|-------|-------|-------|
|       | Ko*                    | g     | g1**  | g2    | g6    | K*    | Kb*   | K*    | Kb*   |
| 63    | 8.58                   | 4.80  | 3.78  | 6.30  | 5.51  | -     | -     | -     | -     |
| 71    | 8.70                   | 5.43  | 4.02  | 6.57  | 4.13  | -     | -     | -     | -     |
| 80A   | 9.41                   | 6.18  | 4.92  | 7.48  | 4.72  | 20.24 | 22.28 | 22.09 | 24.13 |
| 80B   | 9.76                   | 6.18  | 4.92  | 7.48  | 4.72  | 20.59 | 22.64 | 22.44 | 24.49 |
| 90S   | 10.24                  | 6.97  | 5.24  | 8.58  | 5.51  | 21.46 | 23.50 | 22.91 | 24.96 |
| 90L   | 10.83                  | 6.97  | 5.24  | 8.58  | 5.51  | 22.05 | 24.09 | 23.50 | 25.55 |
| 90LA  | 11.18                  | 6.97  | 5.24  | 8.58  | 5.51  | 22.40 | 24.45 | 23.86 | 25.91 |
| 100L  | 12.20                  | 7.76  | 5.67  | 9.37  | 6.30  | 23.86 | 26.22 | 25.12 | 27.48 |
| 112M  | 12.80                  | 8.62  | 6.10  | 9.37  | 6.30  | 24.45 | 27.36 | 25.71 | 28.62 |
| 112MA | 13.54                  | 8.62  | 6.10  | 9.37  | 6.30  | 25.20 | 28.15 | 26.46 | 29.41 |
| 132SA | 15.43                  | 9.25  | 6.77  | 11.34 | 7.87  | 27.99 | 31.26 | 28.35 | 31.61 |
| 132M  | 16.22                  | 9.25  | 6.77  | 11.34 | 7.87  | 28.78 | 32.05 | 29.13 | 32.40 |
| 132MA | 17.17                  | 9.25  | 6.77  | 11.34 | 7.87  | 29.72 | 32.99 | 30.08 | 33.35 |
| 132MB | 18.58                  | 9.25  | 6.77  | 11.34 | 7.87  | 31.14 | 34.41 | 31.50 | 34.76 |
| 160M  | 17.91                  | 10.75 | 11.10 | 12.72 | 13.78 | 30.79 | 34.06 | 32.01 | 35.28 |
| 160L  | 19.69                  | 10.75 | 11.10 | 12.72 | 13.78 | 32.56 | 35.83 | 33.78 | 37.05 |

| NEMA      | ALL SIZES OF NEMA MOTOR |       |      |    |       | M0512 |     | M0612 |     |
|-----------|-------------------------|-------|------|----|-------|-------|-----|-------|-----|
|           | Ko*                     | g     | g1** | g2 | g6    | K*    | Kb* | K*    | Kb* |
| 56C       | 12.00                   | 7.19  | 5.00 | -  | 6.50  | 21.37 | -   | 21.69 | -   |
| 143-145TC | 12.00                   | 7.19  | 5.25 | -  | 6.50  | 21.37 | -   | 21.69 | -   |
| 182-184TC | 15.50                   | 8.50  | 5.88 | -  | 9.00  | 24.12 | -   | 26.17 | -   |
| 213-215TC | 16.50                   | 10.19 | 7.38 | -  | 9.00  | -     | -   | 27.17 | -   |
| 254-256TC | 20.00                   | 12.50 | 9.63 | -  | 10.00 | -     | -   | -     | -   |

| NEMA      | ALL SIZES OF NEMA MOTOR |       |      |    |       | M0712 |     | M0812 |     |
|-----------|-------------------------|-------|------|----|-------|-------|-----|-------|-----|
|           | Ko*                     | g     | g1** | g2 | g6    | K*    | Kb* | K*    | Kb* |
| 56C       | 12.00                   | 7.19  | 5.00 | -  | 6.50  | 23.42 | -   | 24.95 | -   |
| 143-145TC | 12.00                   | 7.19  | 5.25 | -  | 6.50  | 23.42 | -   | 24.95 | -   |
| 182-184TC | 15.50                   | 8.50  | 5.88 | -  | 9.00  | 27.27 | -   | 28.45 | -   |
| 213-215TC | 16.50                   | 10.19 | 7.38 | -  | 9.00  | 28.27 | -   | 29.45 | -   |
| 254-256TC | 20.00                   | 12.50 | 9.63 | -  | 10.00 | 31.69 | -   | 32.95 | -   |

kb - for brake motors  
g2 - hand release if required

\*Motor Lengths for TPT standard motors, These lengths may vary if alternative motor is fitted.

\*\*Dimension over terminal box from centreline.