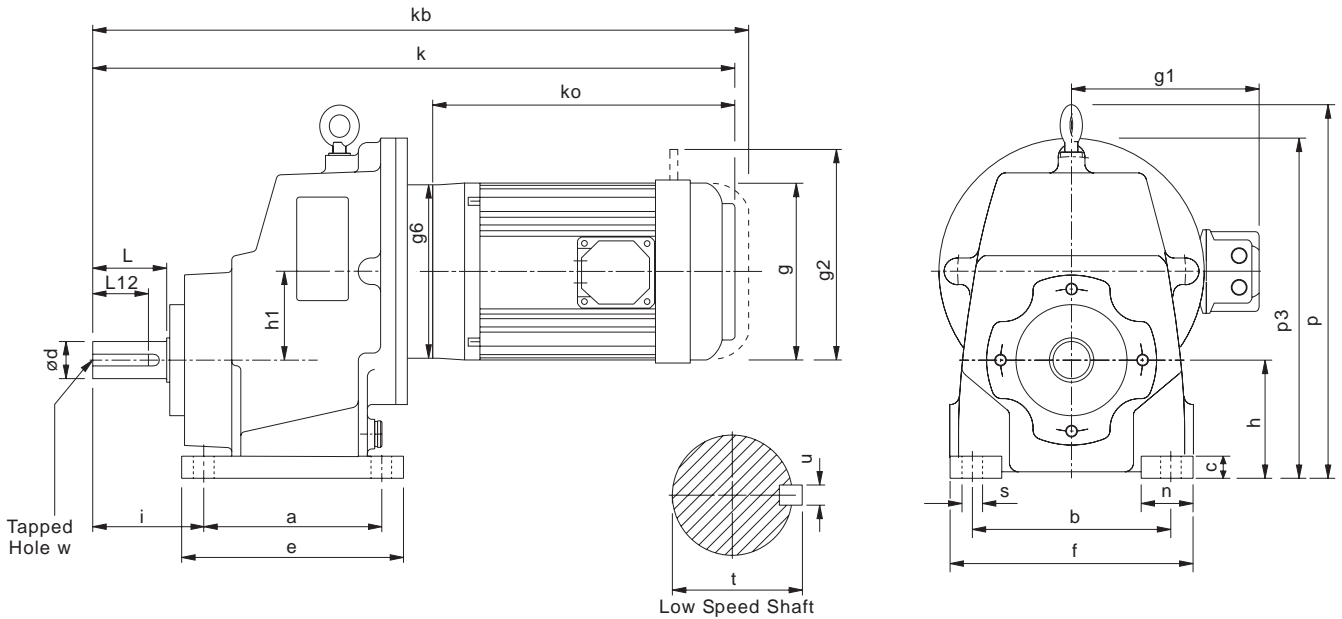


0311



SIZE	a	b	c	e	f	h	h1	i	n	p	p3	s	Low Speed Shaft					
													d	L	L12	t	u	w
<b>M0512</b>	4.33	4.92	0.67	5.39	5.98	2.48	1.85	2.20	1.06	8.58	7.09	0.43	0.75	1.575	1 <sup>9</sup> / <sub>32</sub>	0.829	3 <sup>3</sup> / <sub>16</sub>	1/4 UNF x 0.63 deep
<b>M0612</b>	4.72	5.31	0.79	5.91	6.69	3.15	2.36	2.95	1.38	10.16	9.06	0.55	1.0	1.969	1 <sup>9</sup> / <sub>16</sub>	1.106	1/4	1/4 UNF x 0.71 deep
<b>M0712</b>	5.91	6.69	0.98	7.48	8.35	3.54	2.91	3.35	1.65	12.05	10.63	0.69	1.25	2.362	2	1.359	1/4	1/4 UNF x 0.71 deep
<b>M0812</b>	6.30	8.46	1.18	8.11	10.43	3.94	3.82	4.33	2.36	13.86	12.68	0.69	1.625	3.15	2 <sup>3</sup> / <sub>8</sub>	1.784	3/8	5/8 UNF x 1.25 deep

	ALL SIZES OF IEC MOTOR					M0512		M0612	
	Ko*	g	g1**	g2	g6	K*	Kb*	K*	Kb*
63	8.58	4.80	3.78	6.30	5.51	16.73	18.50	16.77	18.54
71	8.70	5.43	4.02	6.57	4.13	17.01	18.74	17.13	18.86
80A	9.41	6.18	4.92	7.48	4.72	18.23	20.28	18.54	20.59
80B	9.76	6.18	4.92	7.48	4.72	18.58	20.63	18.90	20.94
90S	10.24	6.97	5.24	8.58	5.51	19.45	21.50	19.76	21.81
90L	10.83	6.97	5.24	8.58	5.51	20.04	22.09	20.35	22.40
90LA	11.18	6.97	5.24	8.58	5.51	20.39	22.44	20.71	22.76
100L	12.20	7.76	5.67	9.37	6.30	20.98	23.35	22.80	25.16
112M	12.80	8.62	6.10	9.37	6.30	21.57	24.49	23.39	26.30
112MA	13.54	8.62	6.10	9.37	6.30	22.32	25.28	24.13	27.09
132SA	15.43	9.25	6.77	11.34	7.87	-	-	25.98	29.25
132M	16.22	9.25	6.77	11.34	7.87	-	-	26.77	30.04
132MA	17.17	9.25	6.77	11.34	7.87	-	-	27.72	30.98
132MB	18.58	9.25	6.77	11.34	7.87	-	-	29.13	32.40
160M	17.91	10.75	11.10	12.72	13.78	-	-	-	-
160L	19.69	10.75	11.10	12.72	13.78	-	-	-	-

**DIMENSIONS - SINGLE REDUCTION  
BASE MOUNT**

0311

	ALL SIZES OF IEC MOTOR					M0712		M0812	
	Ko*	g	g1**	g2	g6	K*	Kb*	K*	Kb*
63	8.58	4.80	3.78	6.30	5.51	-	-	-	-
71	8.70	5.43	4.02	6.57	4.13	-	-	-	-
80A	9.41	6.18	4.92	7.48	4.72	20.24	22.28	22.09	24.13
80B	9.76	6.18	4.92	7.48	4.72	20.59	22.64	22.44	24.49
90S	10.24	6.97	5.24	8.58	5.51	21.46	23.50	22.91	24.96
90L	10.83	6.97	5.24	8.58	5.51	22.05	24.09	23.50	25.55
90LA	11.18	6.97	5.24	8.58	5.51	22.40	24.45	23.86	25.91
100L	12.20	7.76	5.67	9.37	6.30	23.86	26.22	25.12	27.48
112M	12.80	8.62	6.10	9.37	6.30	24.45	27.36	25.71	28.62
112MA	13.54	8.62	6.10	9.37	6.30	25.20	28.15	26.46	29.41
132SA	15.43	9.25	6.77	11.34	7.87	27.99	31.26	28.35	31.61
132M	16.22	9.25	6.77	11.34	7.87	28.78	32.05	29.13	32.40
132MA	17.17	9.25	6.77	11.34	7.87	29.72	32.99	30.08	33.35
132MB	18.58	9.25	6.77	11.34	7.87	31.14	34.41	31.50	34.76
160M	17.91	10.75	11.10	12.72	13.78	30.79	34.06	32.01	35.28
160L	19.69	10.75	11.10	12.72	13.78	32.56	35.83	33.78	37.05

NEMA	ALL SIZES OF NEMA MOTOR					M0512		M0612	
	Ko*	g	g1**	g2	g6	K*	Kb*	K*	Kb*
56C	12.00	7.19	5.00	-	6.50	21.37	-	21.69	-
143-145TC	12.00	7.19	5.25	-	6.50	21.37	-	21.69	-
182-184TC	15.50	8.50	5.88	-	9.00	24.12	-	26.17	-
213-215TC	16.50	10.19	7.38	-	9.00	-	-	27.17	-
254-256TC	20.00	12.50	9.63	-	10.00	-	-	-	-

NEMA	ALL SIZES OF NEMA MOTOR					M0712		M0812	
	Ko*	g	g1**	g2	g6	K*	Kb*	K*	Kb*
56C	12.00	7.19	5.00	-	6.50	23.42	-	24.95	-
143-145TC	12.00	7.19	5.25	-	6.50	23.42	-	24.95	-
182-184TC	15.50	8.50	5.88	-	9.00	27.27	-	28.45	-
213-215TC	16.50	10.19	7.38	-	9.00	28.27	-	29.45	-
254-256TC	20.00	12.50	9.63	-	10.00	31.69	-	32.95	-

kb - for brake motors  
g2 - hand release if required

\*Motor Lengths for TPT standard motors, These lengths may vary if alternative motor is fitted.

\*\*Dimension over terminal box from centreline.