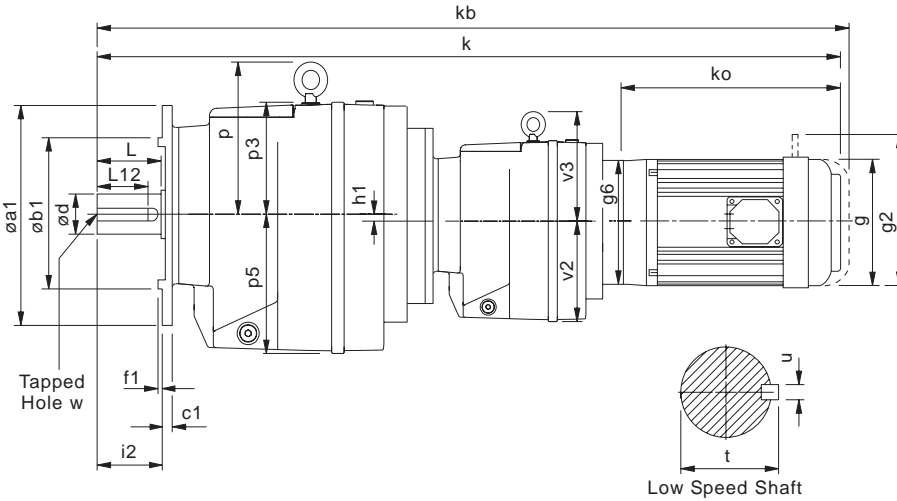
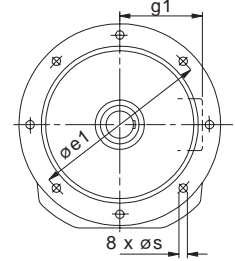
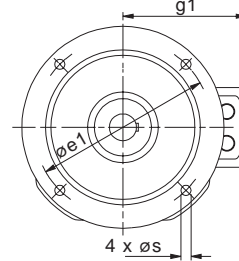


0206



Sizes
3, 4, 5, 6, 7 and 8

Sizes
9, 10, 13 and 14



Note: Sizes 03 to 08 are also available as C-Flange (B14) Mounting, please see page 107 for details.

SIZE	$\phi a1$	$\phi b1$	c1	$\phi e1$	f1	h1	i2	p	p3	p5	s	v2	v3	Low Speed Shaft						
														d	L	L12	t	u	w	
M0342	4.72	3.15	0.39	3.94	0.12	-	1.97	-	3.50	3.58	0.26	2.99	-	1.0	1.969	1 ⁹ / ₁₆	1.106	1/4	1/4 UNF x 0.71 deep	
	5.51	3.74	0.39	4.53	0.12		1.97													0.35
	6.30	4.33	0.39	5.12	0.14		1.97													0.35
	7.87	5.12	0.39	6.50	0.14		1.97													0.43
M0442	5.51	3.74	0.43	4.53	0.12	-	2.36	-	3.58	4.53	0.35	3.58	-	1.25	2.362	2	1.359	1/4	3/8 UNF x 0.86 deep	
	6.30	4.33	0.43	5.12	0.14		2.36													0.35
	7.87	5.12	0.43	6.50	0.14		2.36													0.43
	9.84	7.09	0.43	8.46	0.16		2.36													0.53
M0542	5.51	3.74	0.43	4.53	0.12	-	2.76	-	3.58	4.53	0.35	3.58	-	1.375	2.756	2 ³ / ₈	1.507	5/16	3/8 UNF x 0.75 deep	
	6.30	4.33	0.43	5.12	0.14		2.76													0.35
	7.87	5.12	0.43	6.50	0.14		2.76													0.43
	9.84	7.09	0.43	8.46	0.16		2.76													0.53
M0642	7.87	5.12	0.43	6.50	0.16	0.57	2.76	4.45	3.19	5.12	0.43	3.58	-	1.375	2.756	2 ³ / ₈	1.507	5/16	3/8 UNF x 0.75 deep	
	9.84	7.09	0.43	8.46	0.16		2.76													0.53
	11.81	9.06	0.43	10.43	0.16		2.76													0.53
M0742	7.87	5.12	0.43	6.50	0.14	-	3.15	5.98	4.21	5.51	0.43	3.58	-	1.625	3.15	2 ³ / ₈	1.784	3/8	5/8 UNF x 1.25 deep	
	9.84	7.09	0.43	8.46	0.16		3.15													0.53
	11.81	9.06	0.43	10.43	0.16		3.15													0.53
M0842	11.81	9.06	0.67	10.43	0.16	-	3.94	6.89	4.92	7.17	0.53	4.53	-	2.125	3.937	2 ³ / ₄	2.338	1/2	3/4 UNF x 1.50 deep	
	13.78	9.84	0.67	11.81	0.20		3.94													0.69
M0941	17.72	13.78	0.71	15.75	0.20	-	5.51	7.80	-	9.06	0.71	4.53	-	2.375	4.72	3 ¹¹ / ₁₆	2.65	0.625	3/4 UNF x 1.65 deep	
M1041	17.72	13.78	0.87	15.75	0.20	-	5.51	9.65	-	10.24	0.71	5.51	6.10	2.875	5.51	4 ⁵ / ₈	3.20	0.75	3/4 UNF x 1.65 deep	
M1341	21.65	17.72	0.98	19.69	0.20	-	6.69	11.34	-	10.94	0.71	5.51	6.10	3.625	6.69	5 ¹⁵ / ₁₆	4.01	0.875	1 UNF x 1.97 deep	
M1441	21.65	17.72	0.98	19.69	0.20	-	8.27	12.60	-	12.52	0.71	5.51	6.10	4.00	8.27	7 ¹ / ₂	4.44	1.00	1 UNF x 1.97 deep	

**DIMENSIONS - QUINTUPLE REDUCTION
BASE MOUNT**

0311

Motor Frame Size	All Sizes					M0352		M0452		M0552		M0652		M0752	
	Ko*	g	g1**	g2	g6	K*	Kb*	K*	Kb*	K*	Kb*	K*	Kb*	K*	Kb*
63	8.58	4.80	3.78	6.30	5.51	25.94	27.72	28.54	30.31	28.94	30.71	29.76	31.54	31.22	32.99
71	8.70	5.43	4.02	6.57	4.13	26.22	27.95	28.82	30.55	29.21	30.94	30.04	31.77	31.50	33.23
80A	9.41	6.18	4.92	7.48	4.72	27.44	29.49	30.04	32.09	30.43	32.48	31.26	33.31	32.72	34.76
80B	9.76	6.18	4.92	7.48	4.72	27.80	29.84	30.39	32.44	30.79	32.83	31.61	33.66	33.07	35.12
90S	10.24	6.97	5.24	8.58	5.51	28.66	30.71	31.26	33.31	31.65	33.70	32.48	34.53	33.94	35.98
90L	10.83	6.97	5.24	8.58	5.51	29.25	31.30	31.85	33.90	32.24	34.29	33.07	35.12	34.53	36.57
90LA	11.18	6.97	5.24	8.58	5.51	29.61	31.65	32.20	34.25	32.60	34.65	33.43	35.47	34.88	36.93
100L	12.20	7.76	5.67	9.37	6.30	30.20	32.56	32.80	35.16	33.19	35.55	34.02	36.38	35.47	37.83
112M	12.80	8.62	6.10	9.37	6.30	30.79	33.70	33.39	36.30	33.78	36.69	34.61	37.52	36.06	38.98
112MA	13.54	8.62	6.10	9.37	6.30	31.54	34.49	34.13	37.09	34.53	37.48	35.35	38.31	36.81	39.76

Motor Frame Size	All Sizes					M0852		M0952		M1051		M1351		M1451	
	Ko*	g	g1**	g2	g6	K*	Kb*	K*	Kb*	K*	Kb*	K*	Kb*	K*	Kb*
63	8.58	4.80	3.78	6.30	5.51	34.80	36.57	37.99	39.76	42.32	44.09	47.09	48.86	51.61	53.39
71	8.70	5.43	4.02	6.57	4.13	35.16	36.89	38.35	40.08	42.44	44.17	47.20	48.94	51.73	53.46
80A	9.41	6.18	4.92	7.48	4.72	36.57	38.62	39.76	41.81	44.61	46.65	49.37	51.42	53.90	55.94
80B	9.76	6.18	4.92	7.48	4.72	36.93	38.98	40.12	42.17	44.96	47.01	49.72	51.77	54.25	56.30
90S	10.24	6.97	5.24	8.58	5.51	37.80	39.84	40.98	43.03	45.83	47.87	50.59	52.64	55.12	57.17
90L	10.83	6.97	5.24	8.58	5.51	38.39	40.43	41.57	43.62	46.42	48.46	51.18	53.23	55.71	57.76
90LA	11.18	6.97	5.24	8.58	5.51	38.74	40.79	41.93	43.98	46.77	48.82	51.54	53.58	56.06	58.11
100L	12.20	7.76	5.67	9.37	6.30	40.83	43.19	44.02	46.38	48.23	50.59	52.99	55.35	57.52	59.88
112M	12.80	8.62	6.10	9.37	6.30	41.42	44.33	44.61	47.52	48.82	51.73	53.58	56.50	58.11	61.02
112MA	13.54	8.62	6.10	9.37	6.30	42.17	45.12	45.35	48.31	49.57	52.52	54.33	57.28	58.86	61.81

ALL SIZES OF NEMA MOTOR						M0352		M0452		M0552		M0652		M0752	
	Ko*	g	g1**	g2	g6	K*	Kb*	K*	Kb*	K*	Kb*	K*	Kb*	K*	Kb*
56C	12.00	7.19	5.00	-	6.50	30.58	-	33.18	-	33.57	-	34.40	-	35.86	-
143-145TC	12.00	7.19	5.25	-	6.50	33.18	-	33.18	-	33.57	-	34.40	-	35.86	-
182-184TC	15.50	8.50	5.88	-	9.00	-	-	-	-	-	-	-	-	-	-

ALL SIZES OF NEMA MOTOR						M0852		M0951		M1051		M1351		M1451	
	Ko*	g	g1**	g2	g6	K*	Kb*	K*	Kb*	K*	Kb*	K*	Kb*	K*	Kb*
56C	12.00	7.19	5.00	-	6.50	39.72	-	42.91	-	47.79	-	52.55	-	57.08	-
143-145TC	12.00	7.19	5.25	-	6.50	39.72	-	42.91	-	47.79	-	52.55	-	57.08	-
182-184TC	15.50	8.50	5.88	-	9.00	44.20	-	47.39	-	51.64	-	56.41	-	60.93	-

kb - for brake motors
g2 - hand release if required

*Motor Lengths for TPT standard motors, These lengths may vary if alternative motor is fitted.

**Dimension over terminal box from centreline.