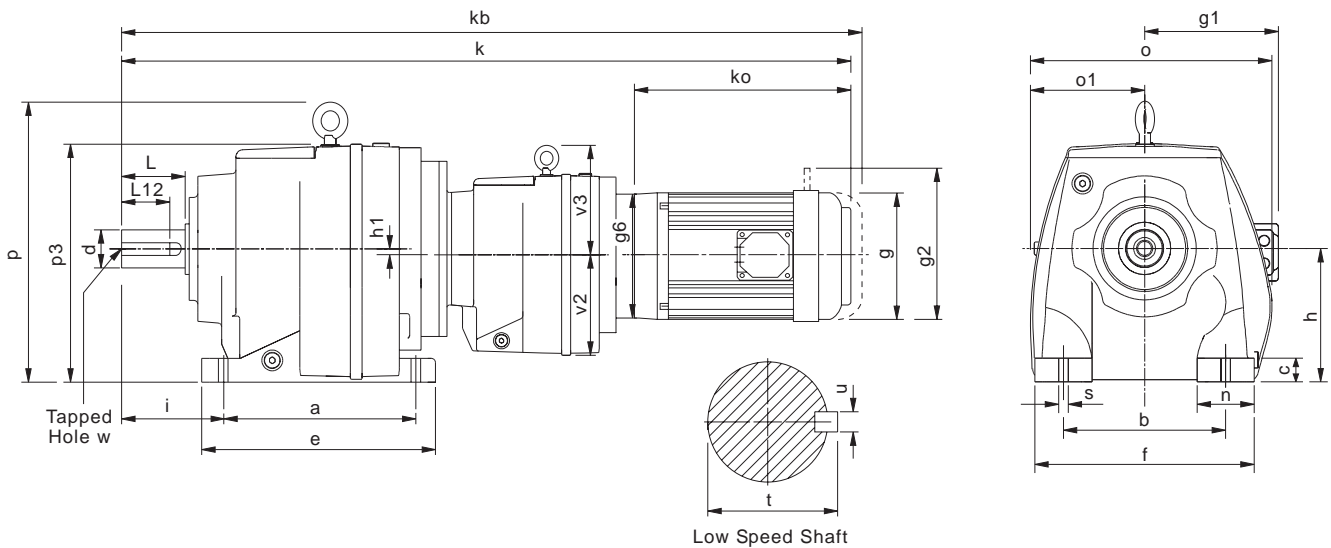


**DIMENSIONS - QUINTUPLE REDUCTION
BASE MOUNT**

0206



SIZE	a	b	c	e	f	h	h1	i	n	o	o1	p	p3	s	v2	v3	Low Speed Shaft					
																	d	L	L12	t	u	w
M0352	5.12	4.33	0.63	5.98	5.71	3.54	-	2.95	1.38	6.69	3.31	-	7.09	0.39	2.99	-	1.0	1.969	1 ⁹ / ₁₆	1.106	1/4	1/4 UNF x 0.71 deep
M0452	6.50	5.31	0.79	7.87	7.48	4.53	-	3.54	2.17	8.03	3.82	-	8.19	0.59	3.58	-	1.25	2.362	2	1.359	1/4	3/8 UNF x 0.86 deep
M0552	6.50	5.31	0.79	7.87	7.48	4.53	-	3.94	2.17	8.03	3.82	-	8.19	0.59	3.58	-	1.375	2.756	2 ³ / ₈	1.507	5/16	3/8 UNF x 0.75 deep
M0652	7.68	5.91	0.94	9.25	8.27	5.12	0.57	3.94	2.36	8.66	4.33	9.69	8.43	0.59	3.58	-	1.375	2.756	2 ³ / ₈	1.507	5/16	3/8 UNF x 0.75 deep
M0752	8.07	6.69	0.98	9.65	9.06	5.51	-	4.53	2.36	9.92	4.69	11.61	9.84	0.75	3.58	-	1.625	3.15	2 ³ / ₈	1.784	3/8	5/8 UNF x 1.25 deep
M0852	10.24	8.46	1.38	12.20	11.42	7.09	-	5.51	2.95	12.60	6.57	14.17	12.20	0.75	4.53	-	2.125	3.937	2 ³ / ₄	2.338	1/2	3/4 UNF x 1.50 deep
M0951	12.20	9.84	1.57	14.37	13.39	8.86	-	6.30	3.54	14.65	7.87	17.05	15.51	0.91	4.53	-	2.375	4.72	3 ¹¹ / ₁₆	2.65	0.625	3/4 UNF x 1.65 deep
M1051	14.57	11.42	1.77	17.32	15.75	9.84	-	7.28	4.33	16.85	8.86	19.88	17.56	1.06	5.51	6.1	2.875	5.51	4 ⁵ / ₈	3.20	0.75	3/4 UNF x 1.65 deep
M1351	16.14	13.39	1.97	19.29	17.72	10.43	-	8.66	4.33	18.50	9.53	22.17	19.02	1.34	5.51	6.1	3.625	6.69	5 ¹⁵ / ₁₆	4.01	0.875	1 UNF x 1.97 deep
M1451	19.69	14.96	1.97	23.23	20.87	11.81	-	10.24	5.91	21.50	10.94	24.80	21.69	1.61	5.51	6.1	4.00	8.27	7 ¹ / ₂	4.44	1.00	1 UNF x 1.97 deep

*Motor Lengths for TPT standard motors, These lengths may vary if alternative motor is fitted.
** Dimension over terminal box from centreline.

**DIMENSIONS - QUINTUPLE REDUCTION
BASE MOUNT**

0311

Motor Frame Size	All Sizes					M0352		M0452		M0552		M0652		M0752	
	Ko*	g	g1**	g2	g6	K*	Kb*	K*	Kb*	K*	Kb*	K*	Kb*	K*	Kb*
63	8.58	4.80	3.78	6.30	5.51	25.94	27.72	28.54	30.31	28.94	30.71	29.76	31.54	31.22	32.99
71	8.70	5.43	4.02	6.57	4.13	26.22	27.95	28.82	30.55	29.21	30.94	30.04	31.77	31.50	33.23
80A	9.41	6.18	4.92	7.48	4.72	27.44	29.49	30.04	32.09	30.43	32.48	31.26	33.31	32.72	34.76
80B	9.76	6.18	4.92	7.48	4.72	27.80	29.84	30.39	32.44	30.79	32.83	31.61	33.66	33.07	35.12
90S	10.24	6.97	5.24	8.58	5.51	28.66	30.71	31.26	33.31	31.65	33.70	32.48	34.53	33.94	35.98
90L	10.83	6.97	5.24	8.58	5.51	29.25	31.30	31.85	33.90	32.24	34.29	33.07	35.12	34.53	36.57
90LA	11.18	6.97	5.24	8.58	5.51	29.61	31.65	32.20	34.25	32.60	34.65	33.43	35.47	34.88	36.93
100L	12.20	7.76	5.67	9.37	6.30	30.20	32.56	32.80	35.16	33.19	35.55	34.02	36.38	35.47	37.83
112M	12.80	8.62	6.10	9.37	6.30	30.79	33.70	33.39	36.30	33.78	36.69	34.61	37.52	36.06	38.98
112MA	13.54	8.62	6.10	9.37	6.30	31.54	34.49	34.13	37.09	34.53	37.48	35.35	38.31	36.81	39.76

Motor Frame Size	All Sizes					M0852		M0952		M1051		M1351		M1451	
	Ko*	g	g1**	g2	g6	K*	Kb*	K*	Kb*	K*	Kb*	K*	Kb*	K*	Kb*
63	8.58	4.80	3.78	6.30	5.51	34.80	36.57	37.99	39.76	42.32	44.09	47.09	48.86	51.61	53.39
71	8.70	5.43	4.02	6.57	4.13	35.16	36.89	38.35	40.08	42.44	44.17	47.20	48.94	51.73	53.46
80A	9.41	6.18	4.92	7.48	4.72	36.57	38.62	39.76	41.81	44.61	46.65	49.37	51.42	53.90	55.94
80B	9.76	6.18	4.92	7.48	4.72	36.93	38.98	40.12	42.17	44.96	47.01	49.72	51.77	54.25	56.30
90S	10.24	6.97	5.24	8.58	5.51	37.80	39.84	40.98	43.03	45.83	47.87	50.59	52.64	55.12	57.17
90L	10.83	6.97	5.24	8.58	5.51	38.39	40.43	41.57	43.62	46.42	48.46	51.18	53.23	55.71	57.76
90LA	11.18	6.97	5.24	8.58	5.51	38.74	40.79	41.93	43.98	46.77	48.82	51.54	53.58	56.06	58.11
100L	12.20	7.76	5.67	9.37	6.30	40.83	43.19	44.02	46.38	48.23	50.59	52.99	55.35	57.52	59.88
112M	12.80	8.62	6.10	9.37	6.30	41.42	44.33	44.61	47.52	48.82	51.73	53.58	56.50	58.11	61.02
112MA	13.54	8.62	6.10	9.37	6.30	42.17	45.12	45.35	48.31	49.57	52.52	54.33	57.28	58.86	61.81

ALL SIZES OF NEMA MOTOR						M0352		M0452		M0552		M0652		M0752	
	Ko*	g	g1**	g2	g6	K*	Kb*	K*	Kb*	K*	Kb*	K*	Kb*	K*	Kb*
56C	12.00	7.19	5.00	-	6.50	30.58	-	33.18	-	33.57	-	34.40	-	35.86	-
143-145TC	12.00	7.19	5.25	-	6.50	33.18	-	33.18	-	33.57	-	34.40	-	35.86	-
182-184TC	15.50	8.50	5.88	-	9.00	-	-	-	-	-	-	-	-	-	-

ALL SIZES OF NEMA MOTOR						M0852		M0951		M1051		M1351		M1451	
	Ko*	g	g1**	g2	g6	K*	Kb*	K*	Kb*	K*	Kb*	K*	Kb*	K*	Kb*
56C	12.00	7.19	5.00	-	6.50	39.72	-	42.91	-	47.79	-	52.55	-	57.08	-
143-145TC	12.00	7.19	5.25	-	6.50	39.72	-	42.91	-	47.79	-	52.55	-	57.08	-
182-184TC	15.50	8.50	5.88	-	9.00	44.20	-	47.39	-	51.64	-	56.41	-	60.93	-

kb - for brake motors
g2 - hand release if required

*Motor Lengths for TPT standard motors, These lengths may vary if alternative motor is fitted.

**Dimension over terminal box from centreline.