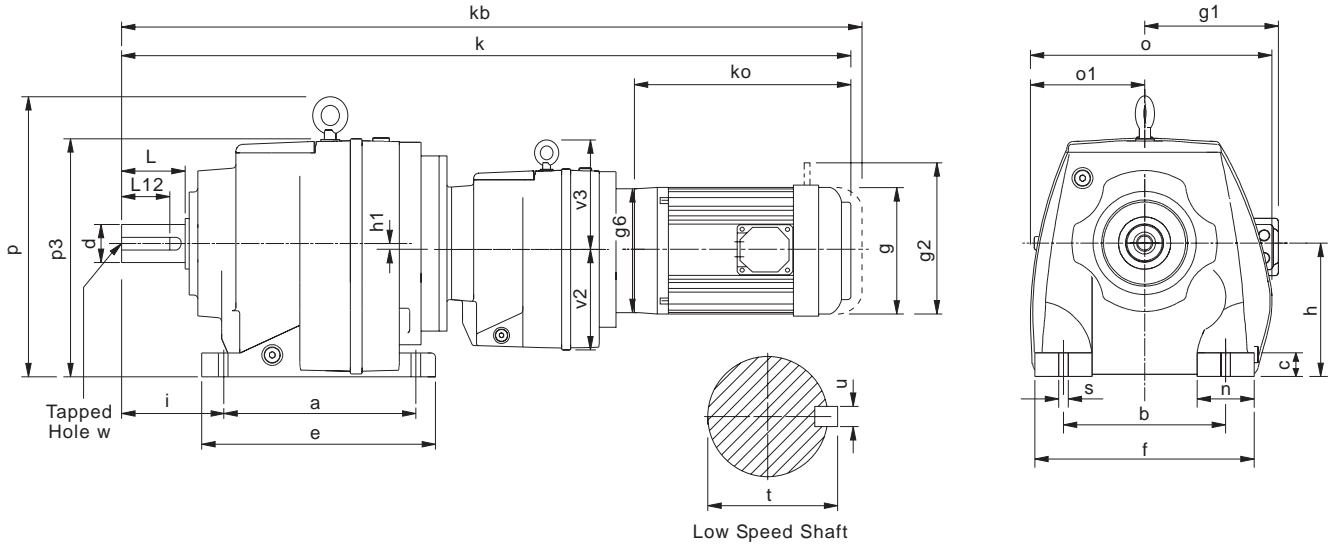


**DIMENSIONS - QUADRUPLE REDUCTION
BASE MOUNT**

0311



SIZE	a	b	c	e	f	h	h1	i	n	o	o1	p	p3	s	v2	v3	Low Speed Shaft					
																	d	L	L12	t	u	w
M0342	5.12	4.33	0.63	5.98	5.71	3.54	-	2.95	1.38	6.69	3.31	-	7.09	0.39	2.99	-	1.0	1.969	1 ⁹ / ₁₆	1.106	1/4	1/4 UNF x 0.71 deep
M0442	6.50	5.31	0.79	7.87	7.48	4.53	-	3.54	2.17	8.03	3.82	-	8.19	0.59	3.58	-	1.25	2.362	2	1.359	1/4	3/8 UNF x 0.86 deep
M0542	6.50	5.31	0.79	7.87	7.48	4.53	-	3.94	2.17	8.03	3.82	-	8.19	0.59	3.58	-	1.375	2.756	2 ³ / ₈	1.507	5/16	3/8 UNF x 0.75 deep
M0642	7.68	5.91	0.94	9.25	8.27	5.12	0.57	3.94	2.36	8.66	4.33	9.69	8.43	0.59	3.58	-	1.375	2.756	2 ³ / ₈	1.507	5/16	3/8 UNF x 0.75 deep
M0742	8.07	6.69	0.98	9.65	9.06	5.51	-	4.53	2.36	9.92	4.69	11.61	9.84	0.75	3.58	-	1.625	3.15	2 ³ / ₈	1.784	3/8	5/8 UNF x 1.25 deep
M0842	10.24	8.46	1.38	12.20	11.42	7.09	-	5.51	2.95	12.60	6.57	14.17	12.20	0.75	4.53	-	2.125	3.937	2 ³ / ₄	2.338	1/2	3/4 UNF x 1.50 deep
M0941	12.20	9.84	1.57	14.37	13.39	8.86	-	6.30	3.54	14.65	7.87	17.05	15.51	0.91	4.53	-	2.375	4.72	3 ¹¹ / ₁₆	2.65	0.625	3/4 UNF x 1.65 deep
M1041	14.57	11.42	1.77	17.32	15.75	9.84	-	7.28	4.33	16.85	8.86	19.88	17.56	1.06	5.51	6.1	2.875	5.51	4 ⁵ / ₈	3.20	0.75	3/4 UNF x 1.65 deep
M1341	16.14	13.39	1.97	19.29	17.72	10.43	-	8.66	4.33	18.50	9.53	22.17	19.02	1.34	5.51	6.1	3.625	6.69	5 ¹⁵ / ₁₆	4.01	0.875	1 UNF x 1.97 deep
M1441	19.69	14.96	1.97	23.23	20.87	11.81	-	10.24	5.91	21.50	10.94	24.80	21.69	1.61	5.51	6.1	4.00	8.27	7 ¹ / ₂	4.44	1.00	1 UNF x 1.97 deep

SERIES M

DIMENSIONS - QUADRUPLE REDUCTION BASE MOUNT

0311

	ALL SIZES OF IEC MOTOR					M0342		M0442		M0542		M0642		M0742	
	Ko*	g	g1**	g2	g6	K*	Kb*	K*	Kb*	K*	Kb*	K*	Kb*	K*	Kb*
63	8.58	4.80	3.78	6.30	5.51	25.35	27.13	28.03	29.80	28.43	30.20	29.25	31.02	30.71	32.48
71	8.70	5.43	4.02	6.57	4.13	25.63	27.36	28.31	30.04	28.70	30.43	29.53	31.26	30.98	32.72
80A	9.41	6.18	4.92	7.48	4.72	26.85	28.90	29.53	31.57	29.92	31.97	30.75	32.80	32.20	34.25
80B	9.76	6.18	4.92	7.48	4.72	27.20	29.25	29.88	31.93	30.28	32.32	31.10	33.15	32.56	34.61
90S	10.24	6.97	5.24	8.58	5.51	28.07	30.12	30.75	32.80	31.14	33.19	31.97	34.02	33.43	35.47
90L	10.83	6.97	5.24	8.58	5.51	28.66	30.71	31.34	33.39	31.73	33.78	32.56	34.61	34.02	36.06
90LA	11.18	6.97	5.24	8.58	5.51	29.02	31.06	31.69	33.74	32.09	34.13	32.91	34.96	34.37	36.42
100L	12.20	7.76	5.67	9.37	6.30	29.61	31.97	32.28	34.65	32.68	35.04	33.50	35.87	34.96	37.32
112M	12.80	8.62	6.10	9.37	6.30	30.20	33.11	32.87	35.79	33.27	36.18	34.09	37.01	35.55	38.46
112MA	13.54	8.62	6.10	9.37	6.30	30.94	33.90	33.62	36.57	34.02	36.97	34.84	37.80	36.30	39.25
132SA	15.43	9.25	6.77	11.34	7.87	-	-	-	-	-	-	-	-	-	-
132M	16.22	9.25	6.77	11.34	7.87	-	-	-	-	-	-	-	-	-	-
132MA	17.17	9.25	6.77	11.34	7.87	-	-	-	-	-	-	-	-	-	-
132MB	18.58	9.25	6.77	11.34	7.87	-	-	-	-	-	-	-	-	-	-
160M	17.91	10.75	11.10	12.72	13.78	-	-	-	-	-	-	-	-	-	-
160L	19.69	10.75	11.10	12.72	13.78	-	-	-	-	-	-	-	-	-	-

	ALL SIZES OF IEC MOTOR					M0842		M0941		M1041		M1341		M1441	
	Ko*	g	g1**	g2	g6	K*	Kb*	K*	Kb*	K*	Kb*	K*	Kb*	K*	Kb*
63	8.58	4.80	3.78	6.30	5.51	34.49	36.26	37.68	39.45	41.69	43.46	46.46	48.23	50.98	52.76
71	8.70	5.43	4.02	6.57	4.13	34.84	36.57	38.03	39.76	41.81	43.54	46.57	48.31	51.10	52.83
80A	9.41	6.18	4.92	7.48	4.72	36.26	38.31	39.45	41.50	43.98	46.02	48.74	50.79	53.27	55.31
80B	9.76	6.18	4.92	7.48	4.72	36.61	38.66	39.80	41.85	44.33	46.38	49.09	51.14	53.62	55.67
90S	10.24	6.97	5.24	8.58	5.51	37.48	39.53	40.67	42.72	45.20	47.24	49.96	52.01	54.49	56.54
90L	10.83	6.97	5.24	8.58	5.51	38.07	40.12	41.26	43.31	45.79	47.83	50.55	52.60	55.08	57.13
90LA	11.18	6.97	5.24	8.58	5.51	38.43	40.47	41.61	43.66	46.14	48.19	50.91	52.95	55.43	57.48
100L	12.20	7.76	5.67	9.37	6.30	40.51	42.87	43.70	46.06	47.60	49.96	52.36	54.72	56.89	59.25
112M	12.80	8.62	6.10	9.37	6.30	41.10	44.02	44.29	47.20	48.19	51.10	52.95	55.87	57.48	60.39
112MA	13.54	8.62	6.10	9.37	6.30	41.85	44.80	45.04	47.99	48.94	51.89	53.70	56.65	58.23	61.18
132SA	15.43	9.25	6.77	11.34	7.87	43.70	46.97	46.89	50.16	51.73	55.00	56.50	59.76	61.02	64.29
132M	16.22	9.25	6.77	11.34	7.87	44.49	47.76	47.68	50.94	52.52	55.79	57.28	60.55	61.81	65.08
132MA	17.17	9.25	6.77	11.34	7.87	45.43	48.70	48.62	51.89	53.46	56.73	58.23	61.50	62.76	66.02
132MB	18.58	9.25	6.77	11.34	7.87	46.85	50.12	50.04	53.31	54.88	58.15	59.65	62.91	64.17	67.44
160M	17.91	10.75	11.10	12.72	13.78	-	-	-	-	54.53	57.80	59.29	62.56	63.82	67.09
160L	19.69	10.75	11.10	12.72	13.78	-	-	-	-	56.30	59.57	61.06	64.33	65.59	68.86

	ALL SIZES OF NEMA MOTOR					M0342		M0442		M0542		M0642		M0742	
	Ko*	g	g1**	g2	g6	K*	Kb*	K*	Kb*	K*	Kb*	K*	Kb*	K*	Kb*
56C	12.00	7.19	5.00	-	6.50	29.99	-	32.67	-	33.06	-	33.89	-	35.35	-
143-145TC	12.00	7.19	5.25	-	6.50	32.67	-	32.67	-	33.06	-	33.89	-	35.35	-
182-184TC	15.50	8.50	5.88	-	9.00	-	-	-	-	-	-	-	-	-	-
213-215TC	16.50	10.19	7.38	-	9.00	-	-	-	-	-	-	-	-	-	-

	ALL SIZES OF NEMA MOTOR					M0842		M0941		M1041		M1341		M1441	
	Ko*	g	g1**	g2	g6	K*	Kb*	K*	Kb*	K*	Kb*	K*	Kb*	K*	Kb*
56C	12.00	7.19	5.00	-	6.50	39.40	-	42.59	-	47.16	-	51.92	-	56.45	-
143-145TC	12.00	7.19	5.25	-	6.50	39.40	-	42.59	-	47.16	-	51.92	-	56.45	-
182-184TC	15.50	8.50	5.88	-	9.00	43.89	-	47.07	-	51.01	-	55.78	-	60.30	-
213-215TC	16.50	10.19	7.38	-	9.00	-	-	-	-	52.01	-	56.78	-	61.30	-

kb - for brake motors
g2 - hand release if required

*Motor Lengths for TPT standard motors, These lengths may vary if alternative motor is fitted.

**Dimension over terminal box from centreline.