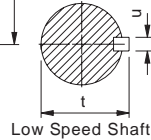
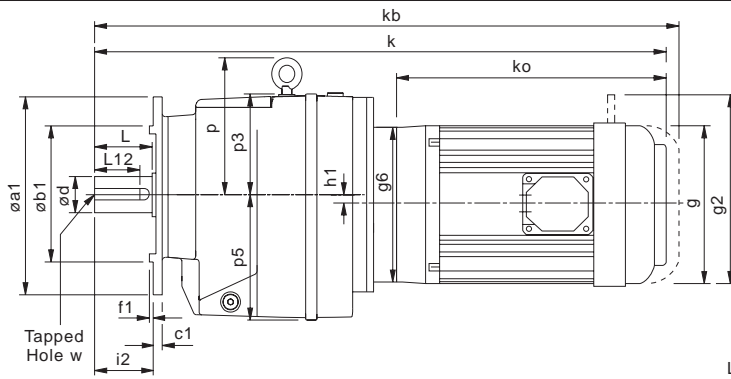


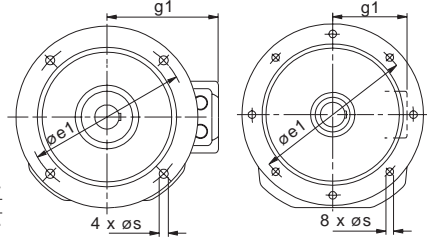
**DIMENSIONS - DOUBLE REDUCTION FLANGE MOUNT**

0311



**Sizes**  
1, 2, 3, 4, 5, 6, 7 and 8

**Sizes**  
9, 10, 13 and 14



Note: Sizes 01 to 08 are also available as C-Flange (B14) Mounting, please see page 107 for details.

SIZE	$\phi a1$	$\phi b1$	c1	$\phi e1$	f1	h1	i2	p	p3	p5	s	Low Speed Shaft					
												d	L	L12	t	u	w
M0122	4.72	3.15	0.35	3.94	0.12	-	1.57	-	2.91	2.99	0.35	0.75	1.575	1 <sup>9</sup> / <sub>32</sub>	0.829	3 <sup>3</sup> / <sub>16</sub>	1 <sup>1</sup> / <sub>4</sub> UNF x 0.63 deep
	5.51	3.74	0.35	4.53	0.12	1.57	-	-	-	0.35							
	6.30	4.33	0.39	5.12	0.14	1.57	-	-	-	0.35							
	7.87	5.12	0.39	6.50	0.14	1.57	-	-	-	0.43							
M0222	4.72	3.15	0.39	3.94	0.12	-	1.97	-	3.54	3.58	0.26	1.0	1.969	1 <sup>9</sup> / <sub>16</sub>	1.106	1 <sup>1</sup> / <sub>4</sub>	1 <sup>1</sup> / <sub>4</sub> UNF x 0.71 deep
	5.51	3.74	0.39	4.53	0.12	1.97	-	-	-	0.35							
	6.30	4.33	0.39	5.12	0.14	1.97	-	-	-	0.35							
	7.87	5.12	0.39	6.50	0.14	1.97	-	-	-	0.43							
M0322	4.72	3.15	0.39	3.94	0.12	-	1.97	-	3.54	3.58	0.26	1.0	1.969	1 <sup>9</sup> / <sub>16</sub>	1.106	1 <sup>1</sup> / <sub>4</sub>	1 <sup>1</sup> / <sub>4</sub> UNF x 0.71 deep
	5.51	3.74	0.39	4.53	0.12	1.97	-	-	-	0.35							
	6.30	4.33	0.39	5.12	0.14	1.97	-	-	-	0.35							
	7.87	5.12	0.39	6.50	0.14	1.97	-	-	-	0.43							
M0422	5.51	3.74	0.43	4.53	0.12	-	2.36	-	3.66	4.53	0.35	1.25	2.362	2	1.359	1 <sup>1</sup> / <sub>4</sub>	3 <sup>3</sup> / <sub>8</sub> UNF x 0.86 deep
	6.30	4.33	0.43	5.12	0.14	2.36	-	-	-	0.35							
	7.87	5.12	0.43	6.50	0.14	2.36	-	-	-	0.43							
	9.84	7.09	0.43	8.46	0.16	2.36	-	-	-	0.53							
M0522	5.51	3.74	0.43	4.53	0.12	-	2.76	-	3.66	4.53	0.35	1.375	2.756	2 <sup>3</sup> / <sub>8</sub>	1.507	5 <sup>5</sup> / <sub>16</sub>	3 <sup>3</sup> / <sub>8</sub> UNF x 0.75 deep
	6.30	4.33	0.43	5.12	0.14	2.76	-	-	-	0.35							
	7.87	5.12	0.43	6.50	0.14	2.76	-	-	-	0.43							
	9.84	7.09	0.43	8.46	0.16	2.76	-	-	-	0.53							
M0622	7.87	5.12	0.43	6.50	0.16	0.57	2.76	4.57	3.31	5.12	0.43	1.375	2.756	2 <sup>3</sup> / <sub>8</sub>	1.507	5 <sup>5</sup> / <sub>16</sub>	3 <sup>3</sup> / <sub>8</sub> UNF x 0.75 deep
	9.84	7.09	0.43	8.46	0.16	2.76	-	-	-	0.53							
	11.81	9.06	0.43	10.43	0.16	2.76	-	-	-	0.53							
	7.87	5.12	0.43	6.50	0.14	3.15	6.10	4.33	5.51	0.43							
M0722	9.84	7.09	0.43	8.46	0.16	-	3.15	-	-	-	0.53	1.625	3.15	2 <sup>3</sup> / <sub>8</sub>	1.784	3 <sup>3</sup> / <sub>8</sub>	5 <sup>5</sup> / <sub>8</sub> UNF x 1.25 deep
	11.81	9.06	0.43	10.43	0.16	3.15	-	-	-	0.53							
	11.81	9.06	0.67	10.43	0.16	3.94	7.09	5.12	7.17	0.53							
M0822	13.78	9.84	0.67	11.81	0.20	-	3.94	-	-	-	0.69	2.125	3.937	2 <sup>3</sup> / <sub>4</sub>	2.338	1 <sup>1</sup> / <sub>2</sub>	3 <sup>3</sup> / <sub>4</sub> UNF x 1.50 deep
	11.81	9.06	0.67	10.43	0.16	3.94	-	-	-	0.69							
M0921	17.72	13.78	0.71	15.75	0.20	-	5.51	7.80	-	9.06	0.71	2.375	4.72	3 <sup>11</sup> / <sub>16</sub>	2.65	0.625	3 <sup>3</sup> / <sub>4</sub> UNF x 1.65 deep
M1021	17.72	13.78	0.87	15.75	0.20	-	5.51	9.65	-	10.24	0.71	2.875	5.51	4 <sup>5</sup> / <sub>8</sub>	3.20	0.75	3 <sup>3</sup> / <sub>4</sub> UNF x 1.65 deep
M1321	21.65	17.72	0.98	19.69	0.20	-	6.69	11.34	-	10.94	0.71	3.625	6.69	5 <sup>15</sup> / <sub>16</sub>	4.01	0.875	1 UNF x 1.97 deep
M1421	21.65	17.72	0.98	19.69	0.20	-	8.27	12.60	-	12.52	0.71	4.00	8.27	7 <sup>1</sup> / <sub>2</sub>	4.44	1.00	1 UNF x 1.97 deep

	ALL SIZES OF IEC MOTOR					M0122		M0222		M0322		M0422		M0522		M0622	
	Ko*	g	g1**	g2	g6	K*	Kb*	K*	Kb*	K*	Kb*	K*	Kb*	K*	Kb*	K*	Kb*
63	8.58	4.80	3.78	6.30	5.51	16.81	18.58	18.03	19.80	18.03	19.80	19.21	20.98	19.61	21.38	20.43	22.20
71	8.70	5.43	4.02	6.57	4.13	17.09	18.82	18.31	20.04	18.31	20.04	19.57	21.30	19.96	21.69	20.79	22.52
80A	9.41	6.18	4.92	7.48	4.72	18.31	20.35	19.53	21.57	19.53	21.57	20.98	23.03	21.38	23.43	22.20	24.25
80B	9.76	6.18	4.92	7.48	4.72	18.66	20.71	19.88	21.93	19.88	21.93	21.34	23.39	21.73	23.78	22.56	24.61
90S	10.24	6.97	5.24	8.58	5.51	19.53	21.57	20.75	22.80	20.75	22.80	22.20	24.25	22.60	24.65	23.43	25.47
90L	10.83	6.97	5.24	8.58	5.51	20.12	22.17	21.34	23.39	21.34	23.39	22.80	24.84	23.19	25.24	24.02	26.06
90LA	11.18	6.97	5.24	8.58	5.51	20.47	22.52	21.69	23.74	21.69	23.74	23.15	25.20	23.54	25.59	24.37	26.42
100L	12.20	7.76	5.67	9.37	6.30	21.06	23.43	22.28	24.65	22.28	24.65	25.24	27.60	25.63	27.99	26.46	28.82
112M	12.80	8.62	6.10	9.37	6.30	21.65	24.57	22.87	25.79	22.87	25.79	25.83	28.74	26.22	29.13	27.05	29.96
112MA	13.54	8.62	6.10	9.37	6.30	22.40	25.35	23.62	26.57	23.62	26.57	26.57	29.53	26.97	29.92	27.80	30.75
132SA	15.43	9.25	6.77	11.34	7.87	-	-	-	-	-	-	28.43	31.69	28.82	32.09	29.65	32.91
132M	16.22	9.25	6.77	11.34	7.87	-	-	-	-	-	-	29.21	32.48	29.61	32.87	30.43	33.70
132MA	17.17	9.25	6.77	11.34	7.87	-	-	-	-	-	-	30.16	33.43	30.55	33.82	31.38	34.65
132MB	18.58	9.25	6.77	11.34	7.87	-	-	-	-	-	-	-	-	-	-	-	-
160M	17.91	10.75	11.10	12.72	13.78	-	-	-	-	-	-	-	-	-	-	-	-
160L	19.69	10.75	11.10	12.72	13.78	-	-	-	-	-	-	-	-	-	-	-	-
180M	21.93	15.04	12.09	-	13.78	-	-	-	-	-	-	-	-	-	-	-	-
180L	23.43	15.04	12.09	-	13.78	-	-	-	-	-	-	-	-	-	-	-	-
200L	25.91	16.54	14.65	-	15.75	-	-	-	-	-	-	-	-	-	-	-	-
225S	26.42	18.03	16.81	-	17.72	-	-	-	-	-	-	-	-	-	-	-	-
225M	27.40	18.03	16.81	-	17.72	-	-	-	-	-	-	-	-	-	-	-	-
250M	30.35	20.08	19.29	-	21.65	-	-	-	-	-	-	-	-	-	-	-	-
280S	32.95	22.68	20.47	-	21.65	-	-	-	-	-	-	-	-	-	-	-	-
280M	34.96	22.68	20.47	-	21.65	-	-	-	-	-	-	-	-	-	-	-	-

0311

	ALL SIZES OF IEC MOTOR					M0722		M0822		M0921		M1021		M1321		M1421	
	Ko*	g	g1**	g2	g6	K*	Kb*	K*	Kb*	K*	Kb*	K*	Kb*	K*	Kb*	K*	Kb*
63	8.58	4.80	3.78	6.30	5.51	-	-	-	-	-	-	-	-	-	-	-	-
71	8.70	5.43	4.02	6.57	4.13	-	-	-	-	-	-	-	-	-	-	-	-
80A	9.41	6.18	4.92	7.48	4.72	23.66	25.71	26.81	28.86	30.00	32.05	-	-	-	-	-	-
80B	9.76	6.18	4.92	7.48	4.72	24.02	26.06	27.17	29.21	30.35	32.40	-	-	-	-	-	-
90S	10.24	6.97	5.24	8.58	5.51	24.88	26.93	27.64	29.69	30.83	32.87	-	-	-	-	-	-
90L	10.83	6.97	5.24	8.58	5.51	25.47	27.52	28.23	30.28	31.42	33.46	-	-	-	-	-	-
90LA	11.18	6.97	5.24	8.58	5.51	25.83	27.87	28.58	30.63	31.77	33.82	-	-	-	-	-	-
100L	12.20	7.76	5.67	9.37	6.30	27.28	29.65	29.84	32.20	33.03	35.39	35.67	38.03	40.43	42.80	44.96	47.32
112M	12.80	8.62	6.10	9.37	6.30	27.87	30.79	30.43	33.35	33.62	36.54	36.26	39.17	41.02	43.94	45.55	48.46
112MA	13.54	8.62	6.10	9.37	6.30	28.62	31.57	31.18	34.13	34.37	37.32	37.01	39.96	41.77	44.72	46.30	49.25
132SA	15.43	9.25	6.77	11.34	7.87	31.42	34.69	33.07	36.34	36.26	39.53	38.90	42.17	43.66	46.93	48.19	51.46
132M	16.22	9.25	6.77	11.34	7.87	32.20	35.47	33.86	37.13	37.05	40.31	39.69	42.95	44.45	47.72	48.98	52.24
132MA	17.17	9.25	6.77	11.34	7.87	33.15	36.42	34.80	38.07	37.99	41.26	40.63	43.90	45.39	48.66	49.92	53.19
132MB	18.58	9.25	6.77	11.34	7.87	34.57	37.83	36.22	39.49	39.41	42.68	42.05	45.31	46.81	50.08	51.34	54.61
160M	17.91	10.75	11.10	12.72	13.78	34.21	37.48	36.73	40.00	40.12	43.39	42.76	46.02	45.87	49.13	50.39	53.66
160L	19.69	10.75	11.10	12.72	13.78	35.98	39.25	38.50	41.77	41.89	45.16	44.53	47.80	47.64	50.91	52.17	55.43
180M	21.93	15.04	12.09	-	13.78	-	-	-	-	44.13	-	46.77	-	49.88	-	54.41	-
180L	23.43	15.04	12.09	-	13.78	-	-	-	-	45.63	-	48.27	-	51.38	-	55.91	-
200L	25.91	16.54	14.65	-	15.75	-	-	-	-	48.11	-	50.75	-	53.86	-	58.39	-
225S	26.42	18.03	16.81	-	17.72	-	-	-	-	49.69	-	52.32	-	55.43	-	59.96	-
225M	27.40	18.03	16.81	-	17.72	-	-	-	-	50.67	-	53.31	-	56.42	-	60.94	-
250M	30.35	20.08	19.29	-	21.65	-	-	-	-	0.00	-	0.00	-	66.14	-	70.67	-
280S	32.95	22.68	20.47	-	21.65	-	-	-	-	0.00	-	0.00	-	68.74	-	73.27	-
280M	34.96	22.68	20.47	-	21.65	-	-	-	-	0.00	-	0.00	-	70.75	-	75.28	-

	ALL SIZES OF NEMA MOTOR					M0122		M0222		M0322		M0422		M0522		M0622	
	Ko*	g	g1**	g2	g6	K*	Kb*	K*	Kb*	K*	Kb*	K*	Kb*	K*	Kb*	K*	Kb*
56C	12.00	7.19	5.00	-	6.50	21.45	-	22.67	-	22.67	-	24.13	-	24.52	-	25.35	-
143-145TC	12.00	7.19	5.25	-	6.50	21.45	-	22.67	-	22.67	-	24.13	-	24.52	-	25.35	-
182-184TC	15.50	8.50	5.88	-	9.00	24.20	-	25.42	-	25.42	-	28.61	-	29.00	-	29.83	-
213-215TC	16.50	10.19	7.38	-	9.00	-	-	-	-	-	-	29.61	-	30.00	-	30.83	-
254-256TC	20.00	12.50	9.63	-	10.00	-	-	-	-	-	-	-	-	-	-	-	-
284-286TC	23.25	15.56	13.13	-	11.25	-	-	-	-	-	-	-	-	-	-	-	-
324-326TC	25.25	16.94	14.13	-	13.38	-	-	-	-	-	-	-	-	-	-	-	-
364-365TC	27.00	19.00	15.13	-	13.38	-	-	-	-	-	-	-	-	-	-	-	-
404-405TC	30.00	20.63	18.00	-	13.38	-	-	-	-	-	-	-	-	-	-	-	-

	ALL SIZES OF NEMA MOTOR					M0722		M0822		M0921		M1021		M1321		M1421	
	Ko*	g	g1**	g2	g6	K*	Kb*	K*	Kb*	K*	Kb*	K*	Kb*	K*	Kb*	K*	Kb*
56C	12.00	7.19	5.00	-	6.50	26.84	-	29.68	-	-	-	-	-	-	-	-	-
143-145TC	12.00	7.19	5.25	-	6.50	26.84	-	29.68	-	-	-	-	-	-	-	-	-
182-184TC	15.50	8.50	5.88	-	9.00	30.70	-	33.18	-	36.33	-	39.48	-	43.96	-	48.49	-
213-215TC	16.50	10.19	7.38	-	9.00	31.70	-	34.18	-	37.33	-	40.48	-	44.96	-	49.49	-
254-256TC	20.00	12.50	9.63	-	10.00	35.12	-	37.68	-	42.20	-	45.16	-	48.46	-	52.99	-
284-286TC	23.25	15.56	13.13	-	11.25	-	-	-	-	45.57	-	48.53	-	51.83	-	56.36	-
324-326TC	25.25	16.94	14.13	-	13.38	-	-	-	-	48.20	-	51.16	-	54.46	-	58.99	-
364-365TC	27.00	19.00	15.13	-	13.38	-	-	-	-	-	-	-	-	62.91	-	67.43	-
404-405TC	30.00	20.63	18.00	-	13.38	-	-	-	-	-	-	-	-	67.28	-	71.81	-

kb - for brake motors  
g2 - hand release if required

\*Motor Lengths for TPT standard motors, These lengths may vary if alternative motor is fitted.

\*\*Dimension over terminal box from centreline