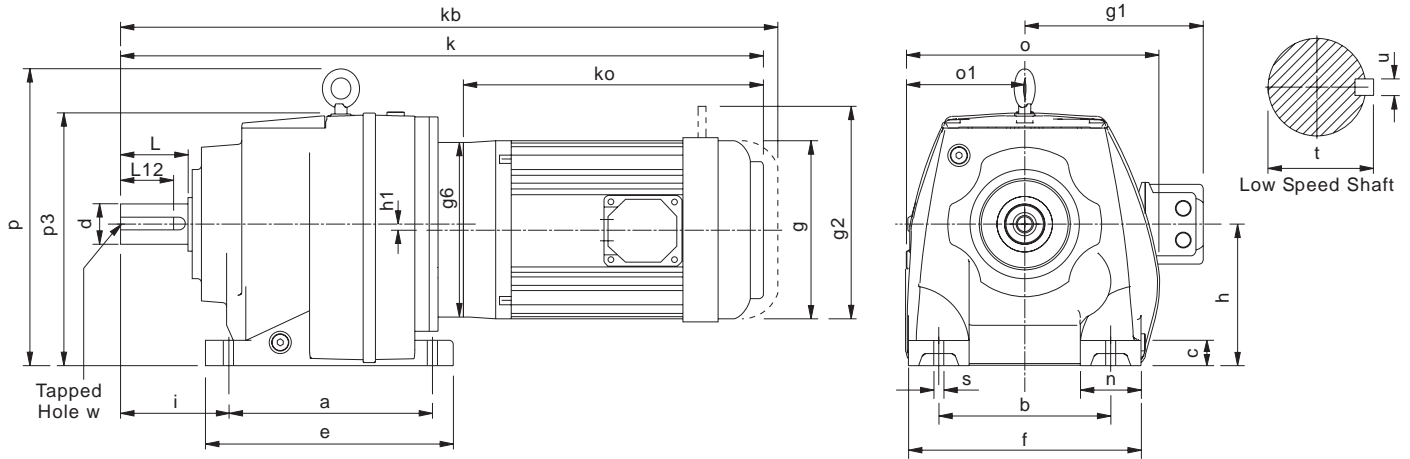


# SERIES M

## DIMENSIONS - DOUBLE REDUCTION BASE MOUNT

0205



| SIZE         | a     | b     | c    | e     | f     | h     | h1   | i     | n    | o     | o1    | p     | p3    | s    | Low Speed Shaft |       |                                 |       |                                |                     |
|--------------|-------|-------|------|-------|-------|-------|------|-------|------|-------|-------|-------|-------|------|-----------------|-------|---------------------------------|-------|--------------------------------|---------------------|
|              |       |       |      |       |       |       |      |       |      |       |       |       |       |      | d               | L     | L12                             | t     | u                              | w                   |
| <b>M0122</b> | 4.33  | 4.33  | 0.47 | 5.16  | 5.31  | 2.95  | -    | 2.28  | 0.98 | 5.98  | 2.99  | -     | 5.87  | 0.39 | 0.75            | 1.575 | 1 <sup>9</sup> / <sub>32</sub>  | 0.829 | 3 <sup>3</sup> / <sub>16</sub> | 1/4 UNF x 0.63 deep |
| <b>M0222</b> | 5.12  | 4.33  | 0.63 | 5.98  | 5.71  | 3.54  | -    | 2.95  | 1.38 | 6.69  | 3.31  | -     | 7.09  | 0.39 | 1.0             | 1.969 | 1 <sup>9</sup> / <sub>16</sub>  | 1.106 | 1/4                            | 1/4 UNF x 0.71 deep |
| <b>M0322</b> | 5.12  | 4.33  | 0.63 | 5.98  | 5.71  | 3.54  | -    | 2.95  | 1.38 | 6.69  | 3.31  | -     | 7.09  | 0.39 | 1.0             | 1.969 | 1 <sup>9</sup> / <sub>16</sub>  | 1.106 | 1/4                            | 1/4 UNF x 0.71 deep |
| <b>M0422</b> | 6.50  | 5.31  | 0.79 | 7.87  | 7.48  | 4.53  | -    | 3.54  | 2.17 | 8.03  | 3.82  | -     | 8.19  | 0.59 | 1.25            | 2.362 | 2                               | 1.359 | 1/4                            | 3/8 UNF x 0.86 deep |
| <b>M0522</b> | 6.50  | 5.31  | 0.79 | 7.87  | 7.48  | 4.53  | -    | 3.94  | 2.17 | 8.03  | 3.82  | -     | 8.19  | 0.59 | 1.375           | 2.756 | 2 <sup>3</sup> / <sub>8</sub>   | 1.507 | 5 <sup>1</sup> / <sub>16</sub> | 3/8 UNF x 0.75 deep |
| <b>M0622</b> | 7.68  | 5.91  | 0.94 | 9.25  | 8.27  | 5.12  | 0.57 | 3.94  | 2.36 | 8.66  | 4.33  | 9.69  | 8.43  | 0.59 | 1.375           | 2.756 | 2 <sup>3</sup> / <sub>8</sub>   | 1.507 | 5 <sup>1</sup> / <sub>16</sub> | 3/8 UNF x 0.75 deep |
| <b>M0722</b> | 8.07  | 6.69  | 0.98 | 9.65  | 9.06  | 5.51  | -    | 4.53  | 2.36 | 9.92  | 4.69  | 11.61 | 9.84  | 0.75 | 1.625           | 3.15  | 2 <sup>3</sup> / <sub>8</sub>   | 1.784 | 3/8                            | 5/8 UNF x 1.25 deep |
| <b>M0822</b> | 10.24 | 8.46  | 1.38 | 12.20 | 11.42 | 7.09  | -    | 5.51  | 2.95 | 12.60 | 6.57  | 14.17 | 12.20 | 0.75 | 2.125           | 3.937 | 2 <sup>3</sup> / <sub>4</sub>   | 2.338 | 1/2                            | 3/4 UNF x 1.50 deep |
| <b>M0921</b> | 12.20 | 9.84  | 1.57 | 14.37 | 13.39 | 8.86  | -    | 6.30  | 3.54 | 14.65 | 7.87  | 17.05 | 15.51 | 0.91 | 2.375           | 4.72  | 3 <sup>1</sup> / <sub>16</sub>  | 2.65  | 0.625                          | 3/4 UNF x 1.65 deep |
| <b>M1021</b> | 14.57 | 11.42 | 1.77 | 17.32 | 15.75 | 9.84  | -    | 7.28  | 4.33 | 16.85 | 8.86  | 19.88 | 17.56 | 1.06 | 2.875           | 5.51  | 4 <sup>5</sup> / <sub>8</sub>   | 3.20  | 0.75                           | 3/4 UNF x 1.65 deep |
| <b>M1321</b> | 16.14 | 13.39 | 1.97 | 19.29 | 17.72 | 10.43 | -    | 8.66  | 4.33 | 18.50 | 9.53  | 22.17 | 19.02 | 1.34 | 3.625           | 6.69  | 5 <sup>15</sup> / <sub>16</sub> | 4.01  | 0.875                          | 1 UNF x 1.97 deep   |
| <b>M1421</b> | 19.69 | 14.96 | 1.97 | 23.23 | 20.87 | 11.81 | -    | 10.24 | 5.91 | 21.50 | 10.94 | 24.80 | 21.69 | 1.61 | 4.00            | 8.27  | 7 <sup>1</sup> / <sub>2</sub>   | 4.44  | 1.00                           | 1 UNF x 1.97 deep   |

|       | ALL SIZES OF IEC MOTOR |       |       |       |       | M0122 |       | M0222 |       | M0322 |       | M0422 |       | M0522 |       | M0622 |       |       |
|-------|------------------------|-------|-------|-------|-------|-------|-------|-------|-------|-------|-------|-------|-------|-------|-------|-------|-------|-------|
|       | Ko*                    | g     | g1**  | g2    | g6    | K*    | Kb*   | K*    | Kb*   | K*    | Kb*   | K*    | Kb*   | K*    | Kb*   | K*    | Kb*   |       |
| 63    | 8.58                   | 4.80  | 3.78  | 6.30  | 5.51  | 16.81 | 18.58 | 18.03 | 19.80 | 18.03 | 19.80 | 19.21 | 20.98 | 19.61 | 21.38 | 20.43 | 22.20 |       |
| 71    | 8.70                   | 5.43  | 4.02  | 6.57  | 4.13  | 17.09 | 18.82 | 18.31 | 20.04 | 18.31 | 20.04 | 19.57 | 21.30 | 19.96 | 21.69 | 20.79 | 22.52 |       |
| 80A   | 9.41                   | 6.18  | 4.92  | 7.48  | 4.72  | 18.31 | 20.35 | 19.53 | 21.57 | 19.53 | 21.57 | 20.98 | 23.03 | 21.38 | 23.43 | 22.20 | 24.25 |       |
| 80B   | 9.76                   | 6.18  | 4.92  | 7.48  | 4.72  | 18.66 | 20.71 | 19.88 | 21.93 | 19.88 | 21.93 | 21.34 | 23.39 | 21.73 | 23.78 | 22.56 | 24.61 |       |
| 90S   | 10.24                  | 6.97  | 5.24  | 8.58  | 5.51  | 19.53 | 21.57 | 20.75 | 22.80 | 20.75 | 22.80 | 22.20 | 24.25 | 22.60 | 24.65 | 23.43 | 25.47 |       |
| 90L   | 10.83                  | 6.97  | 5.24  | 8.58  | 5.51  | 20.12 | 22.17 | 21.34 | 23.39 | 21.34 | 23.39 | 22.80 | 24.84 | 23.19 | 25.24 | 24.02 | 26.06 |       |
| 90LA  | 11.18                  | 6.97  | 5.24  | 8.58  | 5.51  | 20.47 | 22.52 | 21.69 | 23.74 | 21.69 | 23.74 | 23.15 | 25.20 | 23.54 | 25.59 | 24.37 | 26.42 |       |
| 100L  | 12.20                  | 7.76  | 5.67  | 9.37  | 6.30  | 21.06 | 23.43 | 22.28 | 24.65 | 22.28 | 24.65 | 25.24 | 27.60 | 25.63 | 27.99 | 26.46 | 28.82 |       |
| 112M  | 12.80                  | 8.62  | 6.10  | 9.37  | 6.30  | 21.65 | 24.57 | 22.87 | 25.79 | 22.87 | 25.79 | 25.83 | 28.74 | 26.22 | 29.13 | 27.05 | 29.96 |       |
| 112MA | 13.54                  | 8.62  | 6.10  | 9.37  | 6.30  | 22.40 | 25.35 | 23.62 | 26.57 | 23.62 | 26.57 | 26.57 | 29.53 | 26.97 | 29.92 | 27.80 | 30.75 |       |
| 132SA | 15.43                  | 9.25  | 6.77  | 11.34 | 7.87  | -     | -     | -     | -     | -     | -     | -     | 28.43 | 31.69 | 28.82 | 32.09 | 29.65 | 32.91 |
| 132M  | 16.22                  | 9.25  | 6.77  | 11.34 | 7.87  | -     | -     | -     | -     | -     | -     | -     | 29.21 | 32.48 | 29.61 | 32.87 | 30.43 | 33.70 |
| 132MA | 17.17                  | 9.25  | 6.77  | 11.34 | 7.87  | -     | -     | -     | -     | -     | -     | -     | 30.16 | 33.43 | 30.55 | 33.82 | 31.38 | 34.65 |
| 132MB | 18.58                  | 9.25  | 6.77  | 11.34 | 7.87  | -     | -     | -     | -     | -     | -     | -     | -     | -     | -     | -     | -     | -     |
| 160M  | 17.91                  | 10.75 | 11.10 | 12.72 | 13.78 | -     | -     | -     | -     | -     | -     | -     | -     | -     | -     | -     | -     | -     |
| 160L  | 19.69                  | 10.75 | 11.10 | 12.72 | 13.78 | -     | -     | -     | -     | -     | -     | -     | -     | -     | -     | -     | -     | -     |
| 180M  | 21.93                  | 15.04 | 12.09 | -     | 13.78 | -     | -     | -     | -     | -     | -     | -     | -     | -     | -     | -     | -     | -     |
| 180L  | 23.43                  | 15.04 | 12.09 | -     | 13.78 | -     | -     | -     | -     | -     | -     | -     | -     | -     | -     | -     | -     | -     |
| 200L  | 25.91                  | 16.54 | 14.65 | -     | 15.75 | -     | -     | -     | -     | -     | -     | -     | -     | -     | -     | -     | -     | -     |
| 225S  | 26.42                  | 18.03 | 16.81 | -     | 17.72 | -     | -     | -     | -     | -     | -     | -     | -     | -     | -     | -     | -     | -     |
| 225M  | 27.40                  | 18.03 | 16.81 | -     | 17.72 | -     | -     | -     | -     | -     | -     | -     | -     | -     | -     | -     | -     | -     |
| 250M  | 30.35                  | 20.08 | 19.29 | -     | 21.65 | -     | -     | -     | -     | -     | -     | -     | -     | -     | -     | -     | -     | -     |
| 280S  | 32.95                  | 22.68 | 20.47 | -     | 21.65 | -     | -     | -     | -     | -     | -     | -     | -     | -     | -     | -     | -     | -     |
| 280M  | 34.96                  | 22.68 | 20.47 | -     | 21.65 | -     | -     | -     | -     | -     | -     | -     | -     | -     | -     | -     | -     | -     |

0205

|       | ALL SIZES OF IEC MOTOR |       |       |       |       | M0722 |       | M0822 |       | M0921 |       | M1021 |       | M1321 |       | M1421 |       |
|-------|------------------------|-------|-------|-------|-------|-------|-------|-------|-------|-------|-------|-------|-------|-------|-------|-------|-------|
|       | Ko*                    | g     | g1**  | g2    | g6    | K*    | Kb*   | K*    | Kb*   | K*    | Kb*   | K*    | Kb*   | K*    | Kb*   | K*    | Kb*   |
| 63    | 8.58                   | 4.80  | 3.78  | 6.30  | 5.51  | -     | -     | -     | -     | -     | -     | -     | -     | -     | -     | -     | -     |
| 71    | 8.70                   | 5.43  | 4.02  | 6.57  | 4.13  | -     | -     | -     | -     | -     | -     | -     | -     | -     | -     | -     | -     |
| 80A   | 9.41                   | 6.18  | 4.92  | 7.48  | 4.72  | 23.66 | 25.71 | 26.81 | 28.86 | 30.00 | 32.05 | -     | -     | -     | -     | -     | -     |
| 80B   | 9.76                   | 6.18  | 4.92  | 7.48  | 4.72  | 24.02 | 26.06 | 27.17 | 29.21 | 30.35 | 32.40 | -     | -     | -     | -     | -     | -     |
| 90S   | 10.24                  | 6.97  | 5.24  | 8.58  | 5.51  | 24.88 | 26.93 | 27.64 | 29.69 | 30.83 | 32.87 | -     | -     | -     | -     | -     | -     |
| 90L   | 10.83                  | 6.97  | 5.24  | 8.58  | 5.51  | 25.47 | 27.52 | 28.23 | 30.28 | 31.42 | 33.46 | -     | -     | -     | -     | -     | -     |
| 90LA  | 11.18                  | 6.97  | 5.24  | 8.58  | 5.51  | 25.83 | 27.87 | 28.58 | 30.63 | 31.77 | 33.82 | -     | -     | -     | -     | -     | -     |
| 100L  | 12.20                  | 7.76  | 5.67  | 9.37  | 6.30  | 27.28 | 29.65 | 29.84 | 32.20 | 33.03 | 35.39 | 35.67 | 38.03 | 40.43 | 42.80 | 44.96 | 47.32 |
| 112M  | 12.80                  | 8.62  | 6.10  | 9.37  | 6.30  | 27.87 | 30.79 | 30.43 | 33.35 | 33.62 | 36.54 | 36.26 | 39.17 | 41.02 | 43.94 | 45.55 | 48.46 |
| 112MA | 13.54                  | 8.62  | 6.10  | 9.37  | 6.30  | 28.62 | 31.57 | 31.18 | 34.13 | 34.37 | 37.32 | 37.01 | 39.96 | 41.77 | 44.72 | 46.30 | 49.25 |
| 132SA | 15.43                  | 9.25  | 6.77  | 11.34 | 7.87  | 31.42 | 34.69 | 33.07 | 36.34 | 36.26 | 39.53 | 38.90 | 42.17 | 43.66 | 46.93 | 48.19 | 51.46 |
| 132M  | 16.22                  | 9.25  | 6.77  | 11.34 | 7.87  | 32.20 | 35.47 | 33.86 | 37.13 | 37.05 | 40.31 | 39.69 | 42.95 | 44.45 | 47.72 | 48.98 | 52.24 |
| 132MA | 17.17                  | 9.25  | 6.77  | 11.34 | 7.87  | 33.15 | 36.42 | 34.80 | 38.07 | 37.99 | 41.26 | 40.63 | 43.90 | 45.39 | 48.66 | 49.92 | 53.19 |
| 132MB | 18.58                  | 9.25  | 6.77  | 11.34 | 7.87  | 34.57 | 37.83 | 36.22 | 39.49 | 39.41 | 42.68 | 42.05 | 45.31 | 46.81 | 50.08 | 51.34 | 54.61 |
| 160M  | 17.91                  | 10.75 | 11.10 | 12.72 | 13.78 | 34.21 | 37.48 | 36.73 | 40.00 | 40.12 | 43.39 | 42.76 | 46.02 | 45.87 | 49.13 | 50.39 | 53.66 |
| 160L  | 19.69                  | 10.75 | 11.10 | 12.72 | 13.78 | 35.98 | 39.25 | 38.50 | 41.77 | 41.89 | 45.16 | 44.53 | 47.80 | 47.64 | 50.91 | 52.17 | 55.43 |
| 180M  | 21.93                  | 15.04 | 12.09 | -     | 13.78 | -     | -     | -     | -     | 44.13 | -     | 46.77 | -     | 49.88 | -     | 54.41 | -     |
| 180L  | 23.43                  | 15.04 | 12.09 | -     | 13.78 | -     | -     | -     | -     | 45.63 | -     | 48.27 | -     | 51.38 | -     | 55.91 | -     |
| 200L  | 25.91                  | 16.54 | 14.65 | -     | 15.75 | -     | -     | -     | -     | 48.11 | -     | 50.75 | -     | 53.86 | -     | 58.39 | -     |
| 225S  | 26.42                  | 18.03 | 16.81 | -     | 17.72 | -     | -     | -     | -     | 49.69 | -     | 52.32 | -     | 55.43 | -     | 59.96 | -     |
| 225M  | 27.40                  | 18.03 | 16.81 | -     | 17.72 | -     | -     | -     | -     | 50.67 | -     | 53.31 | -     | 56.42 | -     | 60.94 | -     |
| 250M  | 30.35                  | 20.08 | 19.29 | -     | 21.65 | -     | -     | -     | -     | 0.00  | -     | 0.00  | -     | 66.14 | -     | 70.67 | -     |
| 280S  | 32.95                  | 22.68 | 20.47 | -     | 21.65 | -     | -     | -     | -     | 0.00  | -     | 0.00  | -     | 68.74 | -     | 73.27 | -     |
| 280M  | 34.96                  | 22.68 | 20.47 | -     | 21.65 | -     | -     | -     | -     | 0.00  | -     | 0.00  | -     | 70.75 | -     | 75.28 | -     |

|           | ALL SIZES OF NEMA MOTOR |       |       |    |       | M0122 |     | M0222 |     | M0322 |     | M0422 |     | M0522 |     | M0622 |     |
|-----------|-------------------------|-------|-------|----|-------|-------|-----|-------|-----|-------|-----|-------|-----|-------|-----|-------|-----|
|           | Ko*                     | g     | g1**  | g2 | g6    | K*    | Kb* | K*    | Kb* | K*    | Kb* | K*    | Kb* | K*    | Kb* | K*    | Kb* |
| 56C       | 12.00                   | 7.19  | 5.00  | -  | 6.50  | 21.45 | -   | 22.67 | -   | 22.67 | -   | 24.13 | -   | 24.52 | -   | 25.35 | -   |
| 143-145TC | 12.00                   | 7.19  | 5.25  | -  | 6.50  | 21.45 | -   | 22.67 | -   | 22.67 | -   | 24.13 | -   | 24.52 | -   | 25.35 | -   |
| 182-184TC | 15.50                   | 8.50  | 5.88  | -  | 9.00  | 24.20 | -   | 25.42 | -   | 25.42 | -   | 28.61 | -   | 29.00 | -   | 29.83 | -   |
| 213-215TC | 16.50                   | 10.19 | 7.38  | -  | 9.00  | -     | -   | -     | -   | -     | -   | 29.61 | -   | 30.00 | -   | 30.83 | -   |
| 254-256TC | 20.00                   | 12.50 | 9.63  | -  | 10.00 | -     | -   | -     | -   | -     | -   | -     | -   | -     | -   | -     | -   |
| 284-286TC | 23.25                   | 15.56 | 13.13 | -  | 11.25 | -     | -   | -     | -   | -     | -   | -     | -   | -     | -   | -     | -   |
| 324-326TC | 25.25                   | 16.94 | 14.13 | -  | 13.38 | -     | -   | -     | -   | -     | -   | -     | -   | -     | -   | -     | -   |
| 364-365TC | 27.00                   | 19.00 | 15.13 | -  | 13.38 | -     | -   | -     | -   | -     | -   | -     | -   | -     | -   | -     | -   |
| 404-405TC | 30.00                   | 20.63 | 18.00 | -  | 13.38 | -     | -   | -     | -   | -     | -   | -     | -   | -     | -   | -     | -   |

|           | ALL SIZES OF NEMA MOTOR |       |       |    |       | M0722 |     | M0822 |     | M0921 |     | M1021 |     | M1321 |     | M1421 |     |
|-----------|-------------------------|-------|-------|----|-------|-------|-----|-------|-----|-------|-----|-------|-----|-------|-----|-------|-----|
|           | Ko*                     | g     | g1**  | g2 | g6    | K*    | Kb* | K*    | Kb* | K*    | Kb* | K*    | Kb* | K*    | Kb* | K*    | Kb* |
| 56C       | 12.00                   | 7.19  | 5.00  | -  | 6.50  | 26.84 | -   | 29.68 | -   | -     | -   | -     | -   | -     | -   | -     | -   |
| 143-145TC | 12.00                   | 7.19  | 5.25  | -  | 6.50  | 26.84 | -   | 29.68 | -   | -     | -   | -     | -   | -     | -   | -     | -   |
| 182-184TC | 15.50                   | 8.50  | 5.88  | -  | 9.00  | 30.70 | -   | 33.18 | -   | 36.33 | -   | 39.48 | -   | 43.96 | -   | 48.49 | -   |
| 213-215TC | 16.50                   | 10.19 | 7.38  | -  | 9.00  | 31.70 | -   | 34.18 | -   | 37.33 | -   | 40.48 | -   | 44.96 | -   | 49.49 | -   |
| 254-256TC | 20.00                   | 12.50 | 9.63  | -  | 10.00 | 35.12 | -   | 37.68 | -   | 42.20 | -   | 45.16 | -   | 48.46 | -   | 52.99 | -   |
| 284-286TC | 23.25                   | 15.56 | 13.13 | -  | 11.25 | -     | -   | -     | -   | 45.57 | -   | 48.53 | -   | 51.83 | -   | 56.36 | -   |
| 324-326TC | 25.25                   | 16.94 | 14.13 | -  | 13.38 | -     | -   | -     | -   | 48.20 | -   | 51.16 | -   | 54.46 | -   | 58.99 | -   |
| 364-365TC | 27.00                   | 19.00 | 15.13 | -  | 13.38 | -     | -   | -     | -   | -     | -   | -     | -   | 62.91 | -   | 67.43 | -   |
| 404-405TC | 30.00                   | 20.63 | 18.00 | -  | 13.38 | -     | -   | -     | -   | -     | -   | -     | -   | 67.28 | -   | 71.81 | -   |

kb - for brake motors  
g2 - hand release if required

\*Motor Lengths for TPT standard motors, These lengths may vary if alternative motor is fitted.

\*\*Dimension over terminal box from centreline.