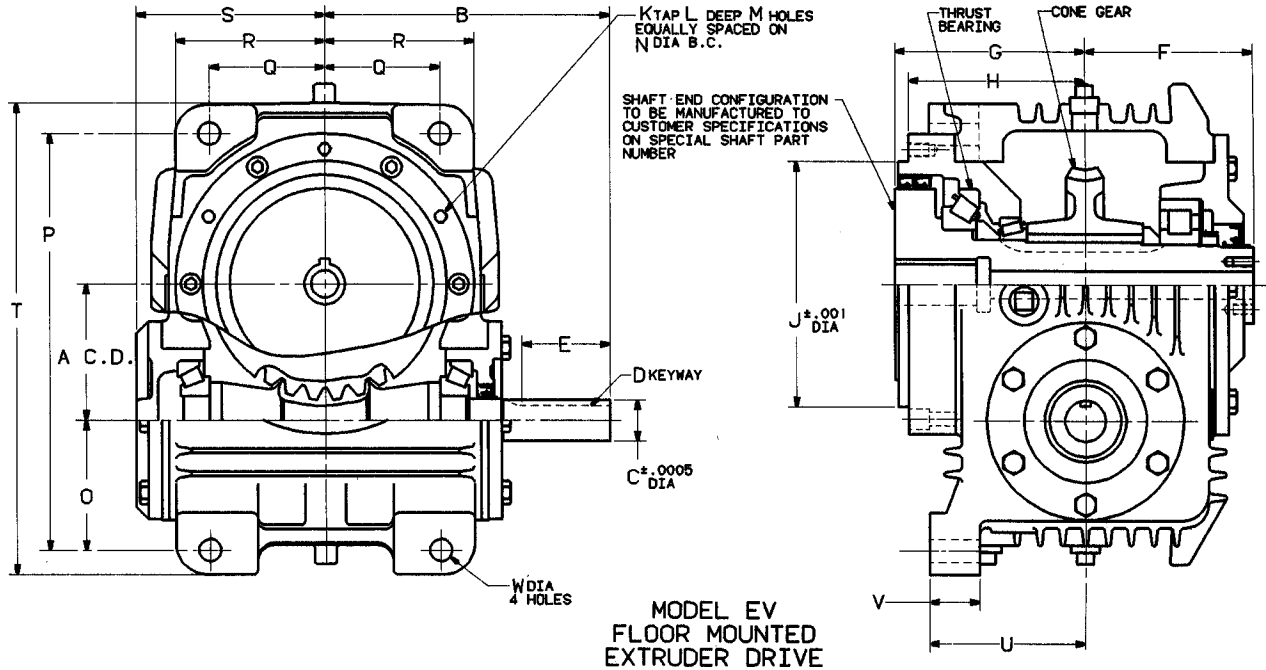


0107



The model EV is arranged for input shaft horizontal and output shaft vertical when floor mounted. This housing configuration is exceptionally well suited to wall or slope mounting.

All models can be arranged for mounting at any angle from horizontal to vertical and can be used

with belt input, constant speed or variable speed arrangements. All models can be provided with standard "C" face motor adapter and coupling for direct drive.

For standard and special ratios, refer to Cone Drive Catalog.

**Dimensional Table**

MODEL	"A" C.D.	"B"	"C"	"D"	"E"	"F"	"G"	"H"	"J"	"K"	"L"
EV35	3.500	7.75	1.1870	1/4 X 1/8	2.62	4.89	5.25	4.75	6.248	3/8-24	.56
EV40	4.000	9.31	1.4995	3/8 X 3/16	3.00	5.19	6.62	6.12	7.248	3/8-24	.56
EV50	5.000	10.50	1.4995	3/8 X 3/16	3.25	6.19	7.75	7.25	8.998	1/2-20	.75
EV60	6.000	11.75	1.7495	3/8 X 3/16	4.00	7.00	8.25	7.75	9.998	1/2-20	.75
EV70	7.000	14.50	1.8745	1/2 X 1/4	4.50	7.50	10.00	9.50	12.498	5/8-11	1.00
EV80	8.000	15.50	1.9995	1/2 X 1/4	4.75	8.62	10.00	9.50	13.998	5/8-11	1.00
EV100	10.000	19.25	2.3745	3/4 X 3/8	5.00	9.75	10.88	10.38	17.498	5/8-11	1.00

MODEL	"M"	"N"	"O"	"P"	"Q"	"R"	"S"	"T"	"U"	"V"	"W"
EV35	6	7.250	3.25	11.31	3.25	4.0	5.2	12.7	4.625	1.3	9/16
EV40	6	8.000	4.25	13.50	4.25	5.0	6.1	15.0	5.000	1.6	11/16
EV50	6	9.875	4.75	15.25	4.25	5.5	7.0	17.25	5.750	1.86	13/16
EV60	6	11.375	5.50	17.38	4.88	6.4	7.6	19.9	6.625	2.12	13/16
EV70	6	13.750	6.62	20.62	6.12	8.0	9.4	23.3	7.375	2.4	15/16
EV80	8	15.750	5.56	21.00	7.00	8.9	10.8	24.3	8.375	2.8	15/16
EV100	12	19.125	6.81	27.06	8.50	10.8	14.5	29.9	9.500	2.8	1 1/16