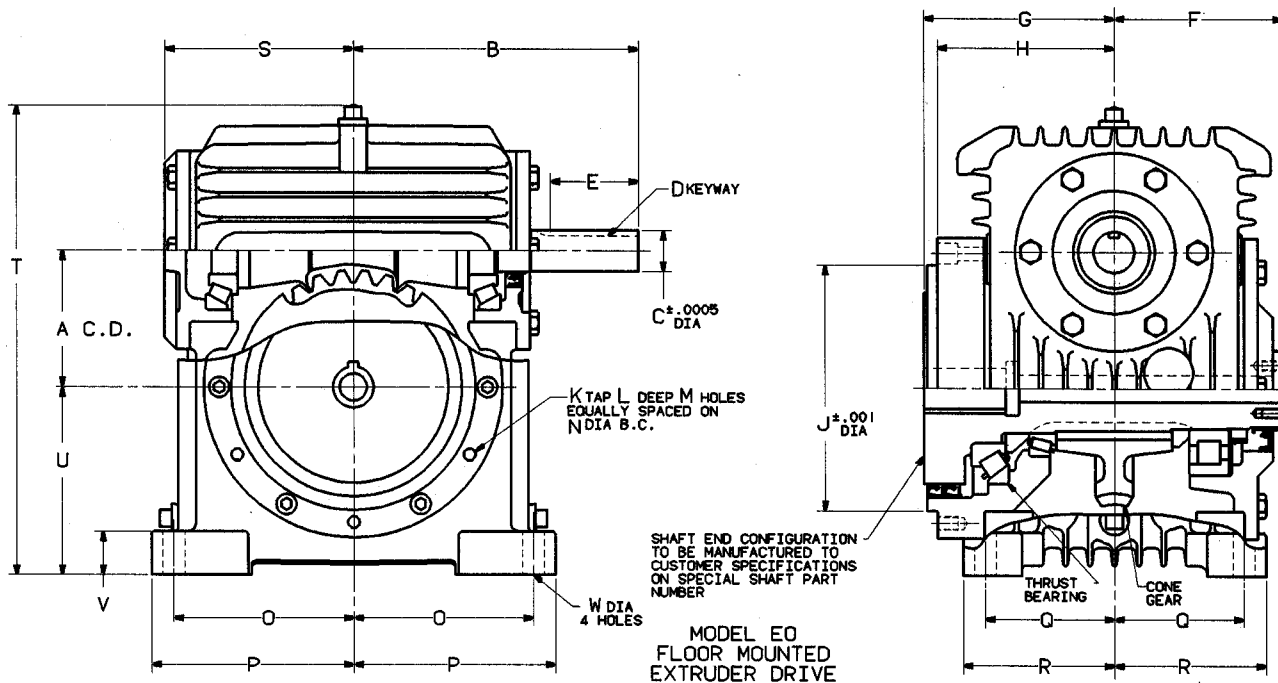


0107



The model EO is arranged for foot mounting with the output shaft below the input shaft. Wall or slope mounting arrangements can be provided as required.

All models can be arranged for mounting at any angle from horizontal to vertical and can be used

with belt input. constant speed or variable speed arrangements. All models can be provided with standard "C" face motor adapter and coupling for direct drive.

For standard and special ratios, refer to Cone Drive Catalog.

Dimensional Table

MODEL	"A" C.D.	"B"	"C"	"D"	"E"	"F"	"G"	"H"	"J"	"K"	"L"
EO35	3.500	7.75	1.1870	1/4 X 1/8	2.62	4.89	5.25	4.75	6.248	3/8-24	.56
EO40	4.000	9.31	1.4995	3/8 X 3/16	3.00	5.19	6.62	6.12	7.248	3/8-24	.56
EO50	5.000	10.50	1.4995	3/8 X 3/16	3.25	6.19	7.75	7.25	8.998	1/2-20	.75
EO60	6.000	11.75	1.7495	3/8 X 3/16	4.00	7.00	8.25	7.75	9.998	1/2-20	.75
EO70	7.000	14.50	1.8745	1/2 X 1/4	4.50	7.50	10.00	9.50	12.498	5/8-11	1.00
EO80	8.000	15.50	1.9995	1/2 X 1/4	4.75	8.62	10.00	9.50	13.998	5/8-11	1.00
EO100	10.000	19.25	2.3745	3/4 X 3/8	5.00	9.75	10.88	10.38	17.498	5/8-11	1.00

MODEL	"M"	"N"	"O"	"P"	"Q"	"R"	"S"	"T"	"U"	"V"	"W"
EO35	6	7.250	4.88	5.5	3.75	4.4	5.2	13.1	5.375	1.2	9/16
EO40	6	8.000	5.56	6.33	4.25	5.0	6.1	14.7	6.000	1.4	11/16
EO50	6	9.875	6.62	7.45	4.75	5.6	7.0	17.2	6.875	1.6	13/16
EO60	6	11.375	7.12	7.95	5.62	6.45	7.6	19.4	7.750	1.8	13/16
EO70	6	13.750	8.50	9.5	6.62	7.7	9.4	23.0	9.000	2.1	15/16
EO80	8	15.750	9.88	10.8	7.38	8.4	10.8	24.6	10.000	2.12	15/16
EO100	12	19.125	12.62	13.8	8.38	9.6	14.5	29.8	12.000	2.25	1 1/16