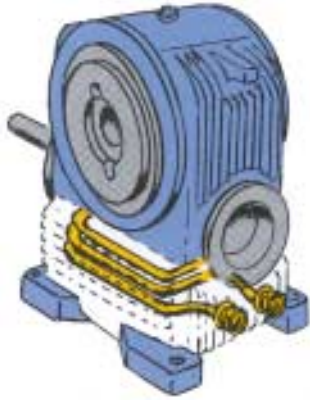
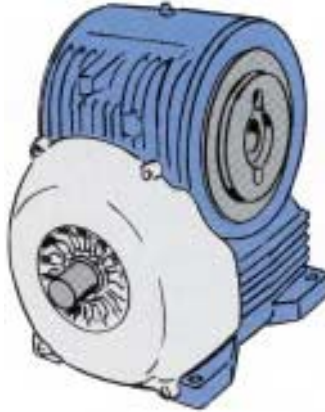


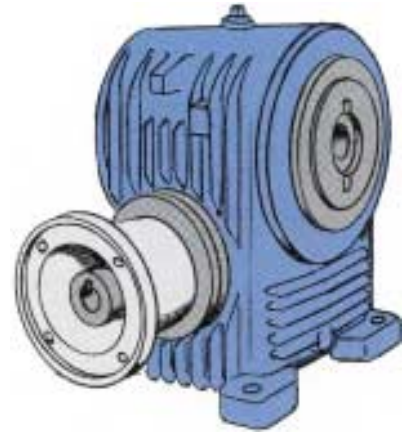
0107



Water Cooling



Fan Cooling



Reducer with Motor Adaptor

Water and Fan Cooling

Reducer thermal capacity can be increased by the addition of water cooling coils or with a fan attachment option. Cone Drive water or fan cooled units are extremely compact requiring no more space than non-cooled units of the same center distance. Please contact our application engineering group or your nearest representative for selection assistance.

Lubricants

Lubricating oils for use in Cone Drive Double Enveloping worm gear reducers must be selected from Cone Drive's approved list of lubricants. An oil level tag and plug are provided at proper location to suit the specified mounting position and the name tag indicates the type of oil to be selected from the list. These approved lubricants are acceptable for an ambient temperature range of 15 to 100 degrees F. If ambient temperatures above 100 are anticipated, please contact Cone Drive for specific

Motor Adaptor

A motor adaptor is available for direct mounting of NEMA "C" face motors. Refer to Cone Drive catalog section 2 for details or contact our application engineering group for assistance (see back page for factory direct address and telephone number).

recommendations.

Cone Drive includes an Approved Lubricants List with each reducer. This document lists products and manufacturers which meet the American Gear Manufacturers Association (AGMA) standards for no.7, 8, and 8A compounds. All units are shipped from the factory without oil.