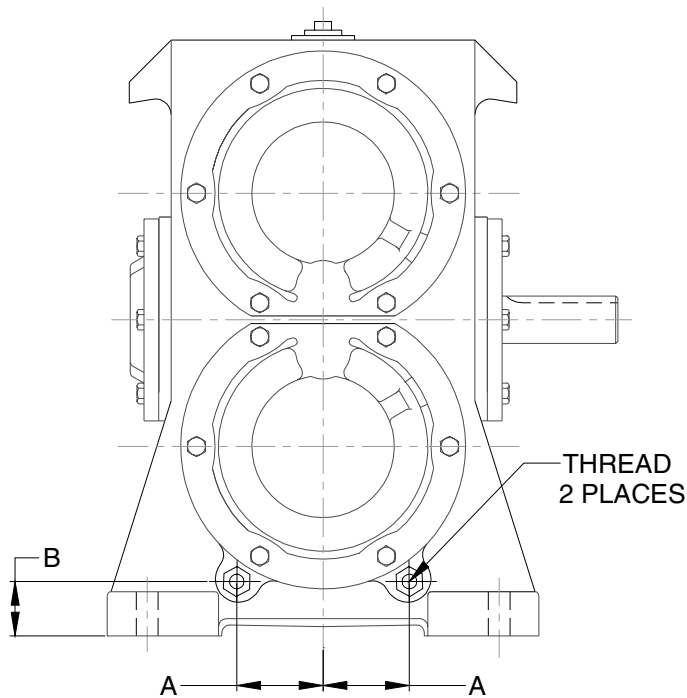


0107

DuoDrive Water Cooling Connection Location



Reducer Size	A (inch)	B (inch)	Thread
D 40	3.0	1.44	3/8-NPT
D 50	3.8	1.49	3/8-NPT
D 60	4.0	1.82	3/8-NPT
D 70	4.7	1.95	3/8-NPT
D 80	5.6	2.10	3/8-NPT
D 100	7.5	2.50	3/8-NPT
D 120	6.5	3.50	1.00 - NPT
D 150	12.5	4.25	1.00 - NPT

Note: Connections for water cooling are located at the opposite side of the output shafts for single extended output reducers.

DuoDrive Water Cooling Ratings

(values shown are in horsepower)

D 40 Ratio to 1	Worm RPM							
	100	200	300	580	720	870	1150	1750
5	6.5	11.8	16.5	23.6	24.8	28.4	29.4	30.6
10	4.2	7.6	10.7	16.3	17.0	19.7	21.8	22.5
15	2.9	5.3	7.5	12.5	14.3	15.8	17.1	17.6
20	2.3	4.1	5.8	9.6	11.0	12.2	13.1	14.0
25	1.8	3.3	4.7	7.7	8.9	9.9	11.5	12.2
30	1.5	2.8	3.9	6.5	7.5	8.3	9.7	10.0
40	1.2	2.1	3.0	4.9	5.6	6.3	7.3	8.3
50	1.0	1.7	2.4	3.9	4.5	5.0	5.8	7.2
60	0.8	1.4	2.0	3.3	3.8	4.2	4.9	6.0
70	0.7	1.2	1.7	2.8	3.3	3.6	4.2	5.2

0107

**DuoDrive Water Cooling Ratings (cont.)**  
(values shown are in horsepower)

<b>D 50</b>		Worm RPM						
Ratio to 1	100	200	300	580	720	870	1150	1750
5	12.8	23.2	32.2	37.7	39.1	45.3	46.4	47.9
10	8.2	14.9	20.8	25.1	26.0	30.6	34.2	35.0
15	5.7	10.5	14.6	20.9	22.6	24.5	26.8	27.4
20	4.4	8.0	11.2	18.0	18.6	18.9	20.1	21.5
25	3.6	6.5	9.1	14.5	16.1	17.7	18.8	19.1
30	3.0	5.4	7.6	12.2	13.7	14.4	15.0	15.2
40	2.3	4.1	5.7	9.2	10.4	11.4	12.6	12.7
50	1.8	3.3	4.6	7.4	8.3	9.2	10.7	11.2
60	1.5	2.8	3.9	6.2	7.0	7.7	8.9	10.1
70	1.3	2.4	3.3	5.3	6.0	6.6	7.7	9.4
<b>D 60</b>		Worm RPM						
Ratio to 1	100	200	300	580	720	870	1150	1750
5	19.5	35.1	47.9	54.8	56.8	65.9	67.5	69.7
10	12.5	22.7	30.8	36.5	37.8	44.6	49.8	50.9
15	8.8	16.0	22.1	30.3	32.9	35.7	38.9	39.8
20	6.7	12.2	16.9	25.9	27.0	27.6	29.2	31.1
25	5.4	9.9	13.7	21.0	23.4	25.8	27.3	27.6
30	4.6	8.3	11.5	17.6	19.7	21.0	21.9	22.2
40	3.4	6.2	8.6	13.3	14.8	16.5	18.3	18.5
50	2.8	5.0	6.9	10.7	11.9	13.2	15.1	16.3
60	2.3	4.2	5.8	8.9	9.9	11.0	12.6	14.6
70	2.0	3.6	5.0	7.6	8.5	9.5	10.8	13.2
<b>D 70</b>		Worm RPM						
Ratio to 1	100	200	300	580	720	870	1150	1750
5	30.6	54.5	72.6	105.2	109.7	128.4	130.7	133.8
10	19.7	35.6	48.7	69.2	71.0	84.9	95.5	97.1
15	13.8	25.1	34.4	51.3	57.7	63.8	73.0	75.9
20	10.6	19.2	26.4	39.4	44.4	48.8	54.7	58.7
25	8.5	15.5	21.3	31.9	35.9	39.5	45.5	52.5
30	7.2	13.0	17.9	26.8	30.1	33.1	38.1	41.6
40	5.4	9.8	13.4	20.1	22.6	24.9	28.8	34.0
50	4.3	7.9	10.8	16.2	18.2	20.0	23.1	27.3
60	3.6	6.6	9.0	13.5	15.2	16.7	19.3	22.9
70	3.1	5.7	7.7	11.6	13.0	14.3	16.5	19.6

<b>D 80</b>		Worm RPM						
Ratio to 1	100	200	300	580	720	870	1150	1750
5	45.3	79.8	104.5	149.3	156.5	182.2	186.7	190.1
10	29.3	52.9	71.6	97.6	99.6	120.2	135.7	137.5
15	20.6	37.3	50.8	74.8	84.2	93.0	105.9	107.3
20	15.8	28.6	39.0	57.6	64.7	71.6	76.8	82.4
25	12.7	23.0	31.5	46.7	52.5	57.7	66.2	74.3
30	10.7	19.3	26.4	39.1	44.1	48.6	55.7	58.4
40	8.0	14.6	19.9	29.5	33.2	36.6	41.9	48.1
50	6.5	11.7	16.0	23.7	26.6	29.4	33.6	39.3
60	5.4	9.8	13.3	19.8	22.2	24.5	28.1	32.8
70	4.6	8.4	11.4	17.0	19.1	21.0	24.1	28.2
<b>D 100</b>		Worm RPM						
Ratio to 1	100	200	300	580	720	870	1150	1750
5	84.7	143.9	183.2	254.0	286.8	311.0	337.9	345.2
10	55.1	97.3	116.8	137.4	176.9	179.3	211.3	214.1
15	38.7	68.7	83.5	110.2	133.5	135.4	152.8	154.9
20	29.6	52.7	65.7	92.8	94.1	95.3	102.9	112.0
25	23.9	42.5	56.6	79.5	90.5	91.4	98.6	99.4
30	20.0	35.7	47.4	58.3	69.9	70.7	74.7	75.3
40	15.1	26.8	35.7	51.4	56.7	57.4	60.1	60.7
50	12.1	21.6	28.7	41.5	46.3	49.2	51.8	52.7
60	10.1	18.0	24.0	34.6	38.6	42.3	45.8	46.5
70	8.7	15.5	20.6	29.7	33.2	36.3	41.4	43.8
<b>D 120</b>		Worm RPM						
Ratio to 1	100	200	300	580	720	870	1150	
5	132.9	166.3	210.2	227.4	290.8	298.5	304.3	
10	72.9	91.7	106.5	127.9	161.9	165.2	193.0	
15	56.0	68.7	77.4	102.7	122.6	125.3	140.3	
20	44.7	55.3	61.6	86.9	88.7	90.3	97.1	
25	36.9	48.7	56.4	74.5	83.6	84.9	91.2	
30	34.0	39.3	45.4	55.7	65.7	66.7	70.2	
40	25.3	30.9	37.3	53.9	53.5	54.4	57.0	
50	20.5	27.1	32.6	42.3	45.6	46.4	49.0	
60	17.2	25.2	29.0	36.7	40.2	41.0	43.4	
70	14.7	23.8	27.1	34.4	38.3	38.9	41.1	

Contact Textron Power Transmission for ratings above Size D120.