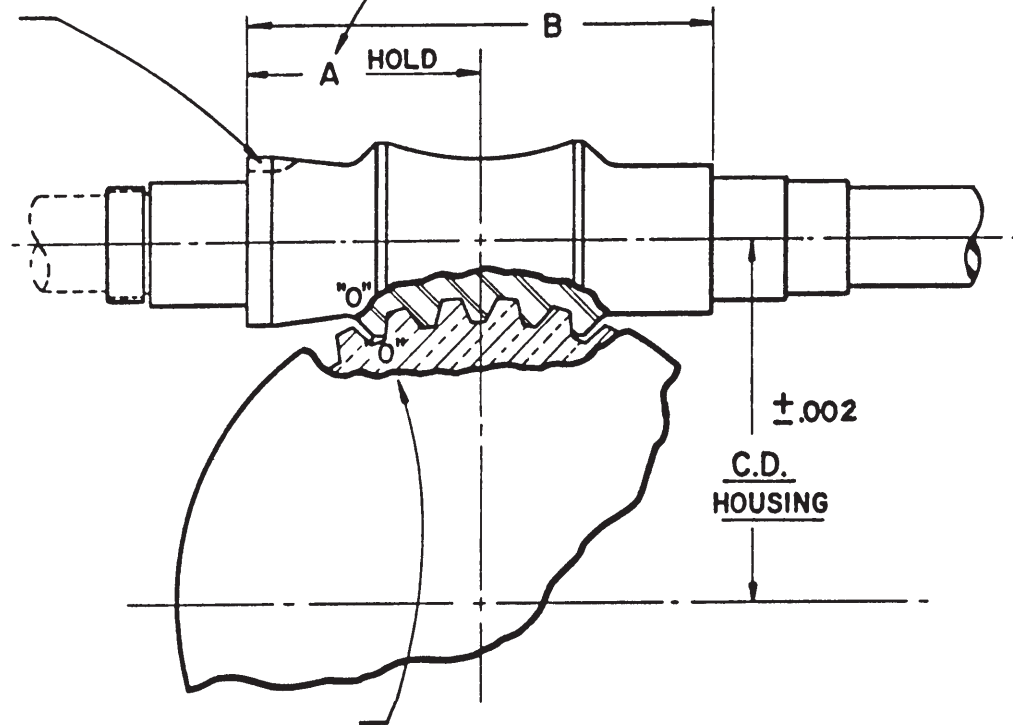


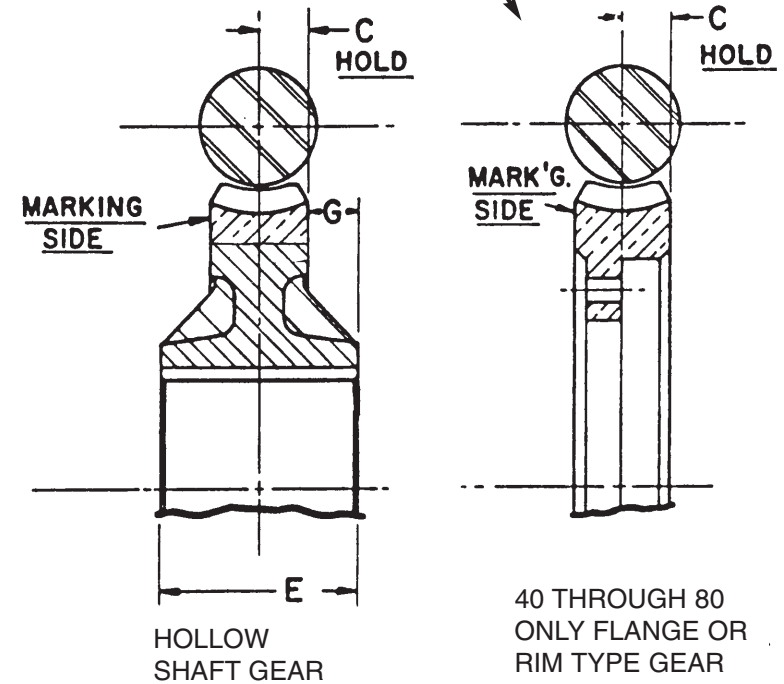
KEY, ON THIS "HELD" SHOULDER. (FOR MANUFACTURING PURPOSES ONLY).

HOLD WHEN GENERATING AND AT ASSEMBLY.



NOTE - (AS REQUIRED) IF AN "O" IS STAMPED ON THE WORM THREAD AND GEAR TOOTH SPACE, THEN AT ASSEMBLY, THE WORM THREAD STAMPED "O" MUST ENTER THE GEAR TOOTH SPACE STAMPED "O"

HOLD WHEN HOBBIING AND AT ASSEMBLY



STANDARD GEAR

FOR ADDITIONAL INFORMATION SEE ASSEMBLY INSTRUCTIONS

SIZE	C.D.	A	B	C	D	E	F	G	H
20	2.000	1.406	2.812	.281	.937	1.750	1.875	.594	.641
25	2.500	2.093	4.187	.375	.937	1.750	1.875	.500	.547
30	3.000	2.406	4.812	.437	1.687	2.625	3.375	.875	1.234
35	3.500	2.750	5.500	.500	2.000	3.125	4.000	1.062	1.484
40F	4.000	3.250	6.500	.562	1.500	3.625	3.000	1.250	.906
50F	5.000	4.250	8.500	.687	2.000	4.250	4.000	1.437	1.281
60F	6.000	4.500	9.000	.875	2.500	5.000	5.000	1.625	1.593
70F	7.000	4.500	9.000	.875	2.500	5.000	5.000	1.625	1.625
80F	8.000	5.125	10.250	1.125	2.500	5.750	5.000	1.750	1.375

DIMENSIONS FOR 40, 50, 60 "C" STYLE

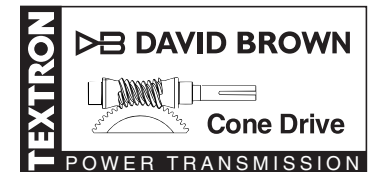
A	B
3.875	6.875
4.875	8.375
5.125	9.000

CONTROLLING DIMENSIONS

STANDARD GEARSETS 2" C.D. THRU 8"

C.D. DESIGNED OPPOSED TAPERED ROLLER BEARINGS

THESE INSTRUCTIONS APPLY TO STANDARD GEARSETS. PLEASE CONTACT CONE DRIVE FOR DETAIL DRAWINGS OF SPECIAL GEARSETS.

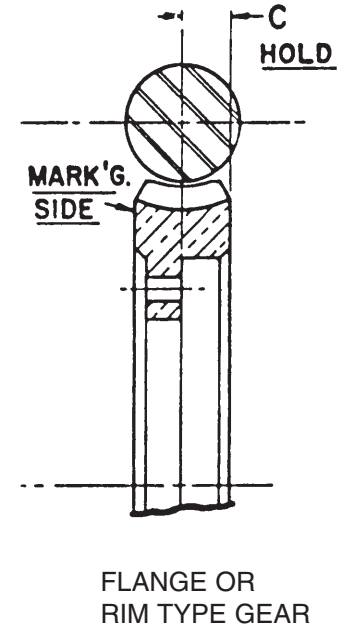
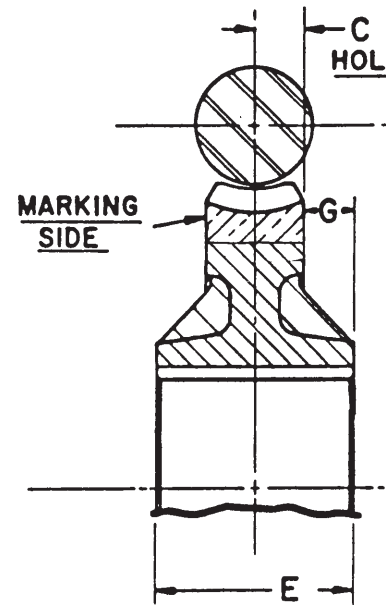
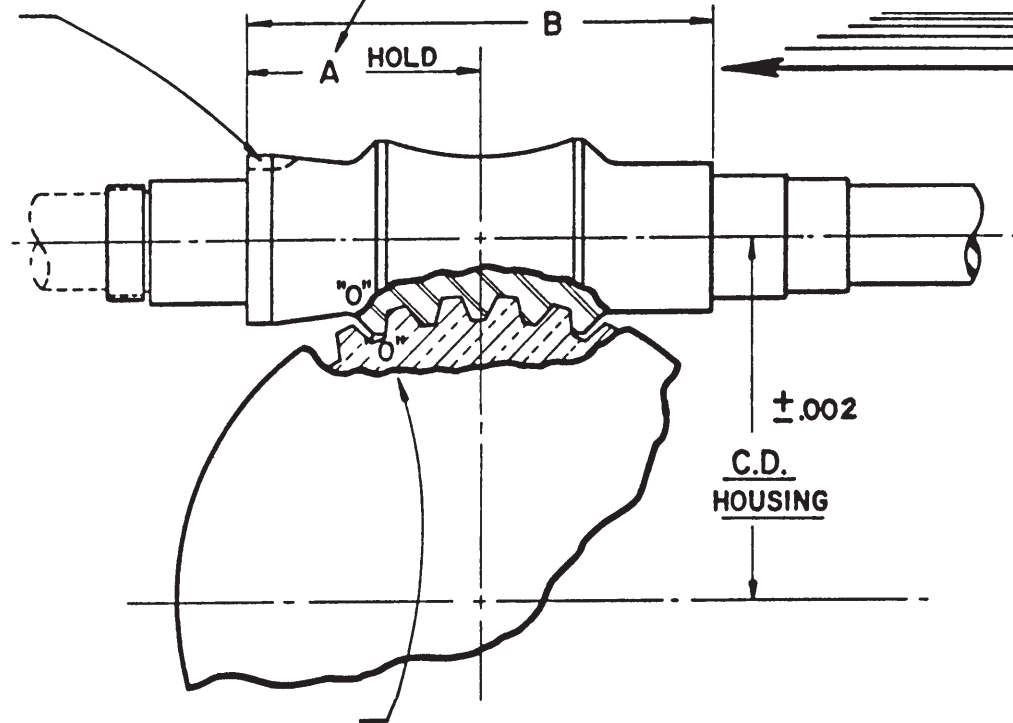


KEY, FLATS OR SPLINES ON THIS "HELD" SHOULDER. (FOR MANUFACTURING PURPOSES ONLY).

HOLD WHEN GENERATING AND AT ASSEMBLY.

WITH WORM ON TOP, LOOKING FROM THIS END, (OPPOSITE HELD SHOULDER) GEAR MARKING SIDE MUST BE TO THE LEFT

HOLD WHEN HOBBING AND AT ASSEMBLY



NOTE - (AS REQUIRED)
IF AN "O" IS STAMPED ON THE WORM THREAD AND MATING GEAR TOOTH SPACE, THEN AT ASSEMBLY, THE WORM THREAD STAMPED "O" MUST ENTER THE GEAR TOOTH SPACE STAMPED "O"

STANDARD GEAR AND SPIDER ASS'Y

FLANGE OR RIM TYPE GEAR

FOR ADDITIONAL INFORMATION SEE ASSEMBLY BULLETIN NO. CA-55.

SIZE	C.D.	A	B	C	D	E	F	G
100	10.000	6.625	12.875	1.375		6.000		1.625
120	12.000	7.625	14.812	1.625		6.750		1.750
150	15.000	9.750	19.500	1.875		9.000		2.625
180	18.000	10.375	20.750	2.000		10.500		3.250
220	21.837	12.125	24.000	2.250		12.000		3.750
240	24.000	13.750	26.375	2.500		14.000		4.500

FORM NO. FA-5A
21081 REV 0799

CONTROLLING DIMENSIONS

STANDARD GEARSETS 10" C.D. THRU 24" C.D. DESIGNED WITH DOUBLE ROW TAPERED ROLLER BEARINGS

THESE INSTRUCTIONS APPLY TO STANDARD GEARSETS. PLEASE CONTACT CONE DRIVE FOR DETAIL DRAWINGS OF SPECIAL GEARSETS.

